

ETC European Luminaires Parts Price List € 2010.05

Part number: 5000L5202-10.05-GB rev. A
Released: October 2010

Proprietary and Confidential ETC Information
Prices effective May, 2010

For ETC authorised distributors and dealers only

This supercedes all previous price lists.
For availability information call ETC Ltd. at +44 (0)20 8896 1000 or ETC GmbH at +49 (0) 8024 47 00-0
Possession of this document does not constitute an offer to sell.

Contents	
ETC® Automated Fixture Parts	1
ETC Conventional Luminaire Parts	5
ETC HID Luminaire Parts	23

Table of Contents

ETC® Automated Fixture Parts	1	Source Four® jr™	17
Source Four® Revolution®	1	Lamp Burner Assembly	17
Exterior Covers and Hardware	1	Source Four jr Components	18
Lamp Burner Assy	1	Source Four jr Zoom Lens Assembly	19
Modules and Control Cards	2	Source Four® PAR™ EA, PAR MCM, & PARNeI™	20
Lens Assembly Components	2	Lamp Burner Assembly	21
Miscellaneous Components	2	Source Four PAR EA, PAR MCM & PARNeI Components	21
Wire Harness Assemblies	3	Source Four PARNeI Specific Parts	22
ETC Conventional Luminaire Parts	5	Source Four MultiPAR Specific Parts	22
Source Four Profile Spot Parts	5	1 x 3 Version	22
Top Assemblies	5	1 x 4 Version	22
Lamp Burner Assembly	5	1 x 12 Version	22
Reflector Housing Assembly	6	Shared Assembly Parts	22
Front Barrel Assembly	7	Shared Other Parts	22
Common Parts for Lens Tube Assembly - 19° to 50°	8	ETC HID Luminaire Parts	23
14° Lens Tube	9	Source Four HID PAR EA & HID PARNeI	23
70° Lens Tube	10	HID PAR & PARNeI Top Level Assemblies	23
90° Lens Tube	11	HID PAR EA & HID PARNeI Burner Assembly	24
10° Lens Tube	12	Source Four HID	25
10° Lens Tubes Prior to 3/96	12	Burner Assembly	25
5° Lens Tube	13		
5° Lens Tubes Prior to 3/96	13		
Source Four Zoom Parts	14		
Source Four Zoom Parts	15		
Balance Yoke for 15° - 30° (7060A2028)	16		

Notable changes to the ETC European Luminaires Parts Price List €

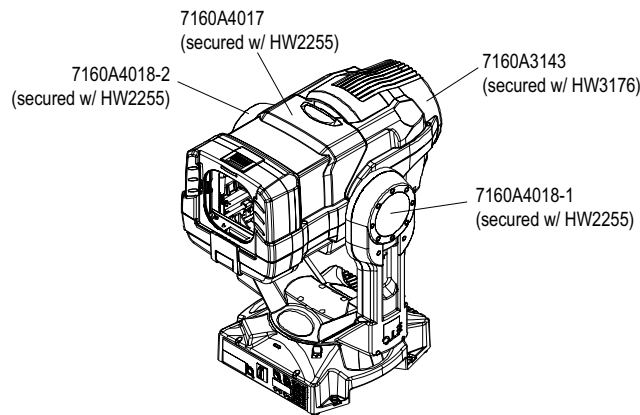
This is an initial release of this price list. Any future releases will indicate general revisions in this section.

ETC[®] Automated Fixture Parts

The parts listed below were identified as items that may be required when maintaining a Revolution automated fixture. If you do not find the item you require in the list below please contact ETC Technical Services UK 44 (0)20 8896 1000 or Germany +49 (0) 8024 47 00-0 for assistance.

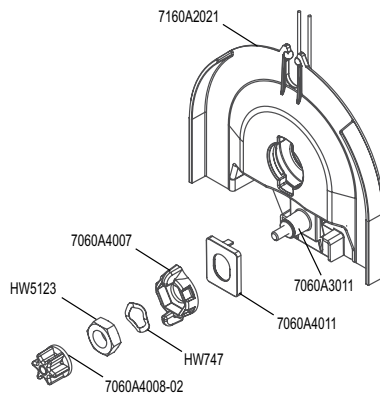
Source Four[®] Revolution[®]

Exterior Covers and Hardware



Part #	Description	List Price
7160A3143	Rear Burner Cover, Black	€
7160A4017	Top Cover, Black	€
7160A4018-1	Yoke Cover, with hole, Black	€
7160A4018-2	Yoke Cover, without hole, Black	€-
HW2255	Screw, #6 Captive	€
HW3176	Screw, 8-32x1.25 PhPHMS Bz	€

Lamp Burner Assy

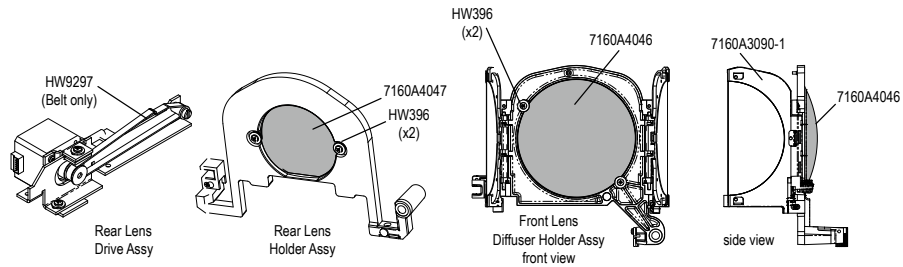


Part #	Description	List Price
7160A2021	Lamp Burner Sub Assembly, Black	€
7060A3011	Hub Index Casting	€
7060A4007	Knob, X-Y Lamp Set	€
7060A4008-02	Knob, Z Lamp w/ Female Insert	€
7060A4011	Bushing Cup	€
7060B7038	Lamp Power Harness	€
HW5123	Nut, 9/16-18 7/8 5/16 Bz	€
HW747	Washer, Wave	€

Modules and Control Cards

Part #	Description	List Price
7160A2007	Handle Module Accessory Assy	€
7160A2012	Control Data Module	€
7160A2023	Fan SCC Assy (incl. 7160A2007 Handle Module Assy)	€
7160A2026-CFG	Power Module, Universal	€
7160A3122	Spring Pan encoder	€
7160A4016	Handle Module Assy	€
7160B5605	Pan/Tilt/Colour position sensor	€
7160B5608	Front Lens, Pan and Tilt end of travel sensor	€
7160B5619	Shutter Module SCC Assembly	€
7160B5621-CFG	Revolution Slave Control Card (program loaded and tested) Please specify fixture version at order (Early scroller or Wybron)	€
7160B5622-CFG	Revolution Master Control Card (program loaded and tested) Please specify fixture version at order (Early scroller or Wybron)	€
7160B5624	DMX I/O PCB	€

Lens Assembly Components



Part #	Description	List Price
7160A2004	Lens, Front Zoom, Complete assembly incl. diffuser holder	€
7160A2005	Lens, Rear Zoom, Complete assembly	€
7160A3090-1	Frame Diffusion Gel, Black	€
7160A4046	Lens, Front Zoom	€
7160A4047	Lens, Rear Zoom	€
HW396	Screw, 8-32x3/8 PhPHMS Sems B/Z	€
HW9296	Belt, 265T .080P .375W used on Front lens drive	€
HW9297	Belt, 139T 080P .375W used on Rear lens drive	€

Miscellaneous Components

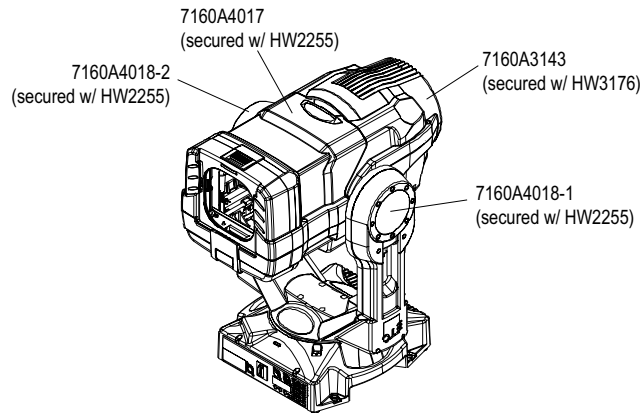
Part #	Description	List Price
7060A1022	Safety Cable, 30" Black	€
7160A2032	Tilt Motor Assy	€
7160A2013	Pan Motor Assy	€
7160A3021	Spring, Gobo/Filter Retention used on Gobo and Filter Wheel Module	€
7160A3065	Pan/Tilt Pulley Drive	€
7062A4010	S4 Revolution Reflector	€
7160A4032-1	Velcro 1" Dia Hook Dot, Male used on the Fan SCC Assy	€
7160A4032-2	Velcro 1" Dia Hook Dot, Female used on the Scroller Assy	€
7160B7047	Fan & Harness Assy	€
HW396	Screw, 8-32x3/8 PhPHMS Sems B/Z used to attach Dee Ring w/ Clip (HW8334)	€
HW4164	Screw, 10-32x3/8 PhPHMS Sems BO secures Plate Damping Arm to the Upper Enclosure	€
HW4166	Screw, 10-32x1/2 PhPHMS Sems BO used to secure Rubber Bumper (HW6122)	€
HW6122	Rubber Bumper table top resting feet	€
W6204	Sleeving, Fiberglass used on Lamp Wire Harness	€

ETC[®] Automated Fixture Parts

The parts listed below were identified as items that may be required when maintaining a Revolution automated fixture. If you do not find the item you require in the list below please contact ETC Technical Services UK 44 (0)20 8896 1000 or Germany +49 (0) 8024 47 00-0 for assistance.

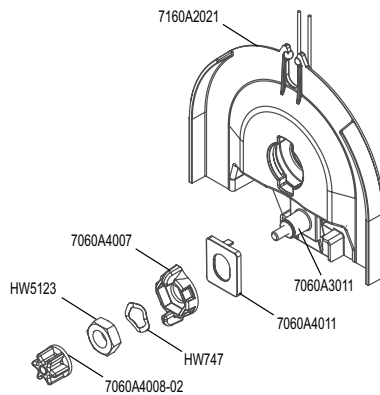
Source Four[®] Revolution[®]

Exterior Covers and Hardware



Part #	Description	List Price
7160A3143	Rear Burner Cover, Black	€
7160A4017	Top Cover, Black	€
7160A4018-1	Yoke Cover, with hole, Black	€
7160A4018-2	Yoke Cover, without hole, Black	€
HW2255	Screw, #6 Captive	€
HW3176	Screw, 8-32x1.25 PhPHMS Bz	€

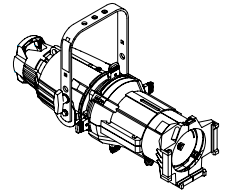
Lamp Burner Assy



Part #	Description	List Price
7160A2021	Lamp Burner Sub Assembly, Black	€
7060A3011	Hub Index Casting	€
7060A4007	Knob, X-Y Lamp Set	€
7060A4008-02	Knob, Z Lamp w/ Female Insert	€
7060A4011	Bushing Cup	€
7060B7038	Lamp Power Harness	€
HW5123	Nut, 9/16-18 7/8 5/16 Bz	€
HW747	Washer, Wave	€

ETC Conventional Luminaire Parts

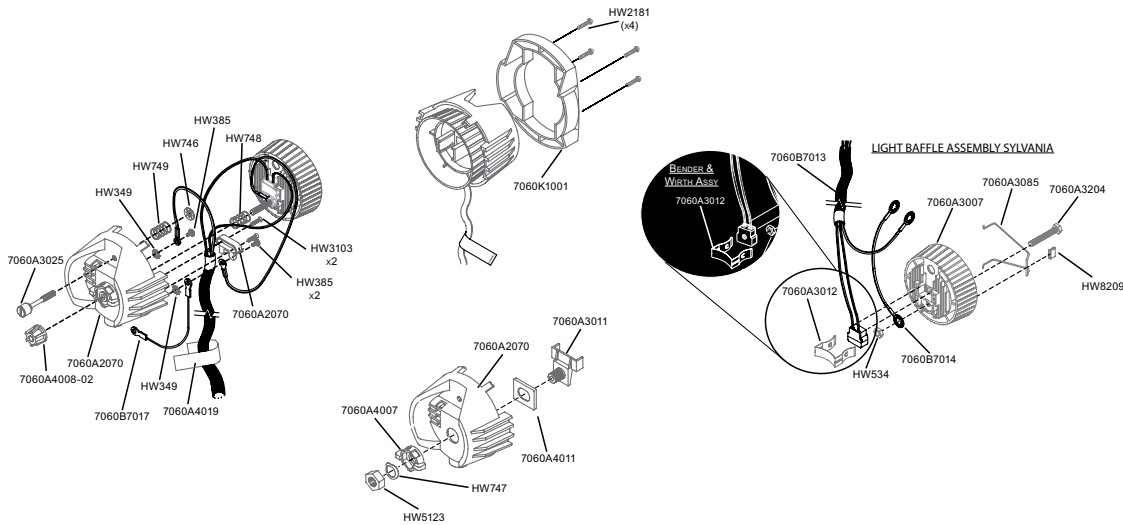
Source Four Profile Spot Parts



Top Assemblies

Part #	Description	List Price
7060A2012	Front barrel assembly, Black	€
7060A2012-1	Front barrel assembly, White	€
7060A2208	CE Lamp burner assembly rated up to 750W, Black	€
7060A2208-1	CE Lamp burner assembly rated up to 750W, White	€
7060A2211	Rear housing assembly, single clutch, Black	€
7060A2211-K1	Rear housing assembly, single clutch, White	€
7060A2220-K	Rear housing assembly, double clutch, Black	€
060A2220-K1	Rear housing assembly, double clutch, White	€

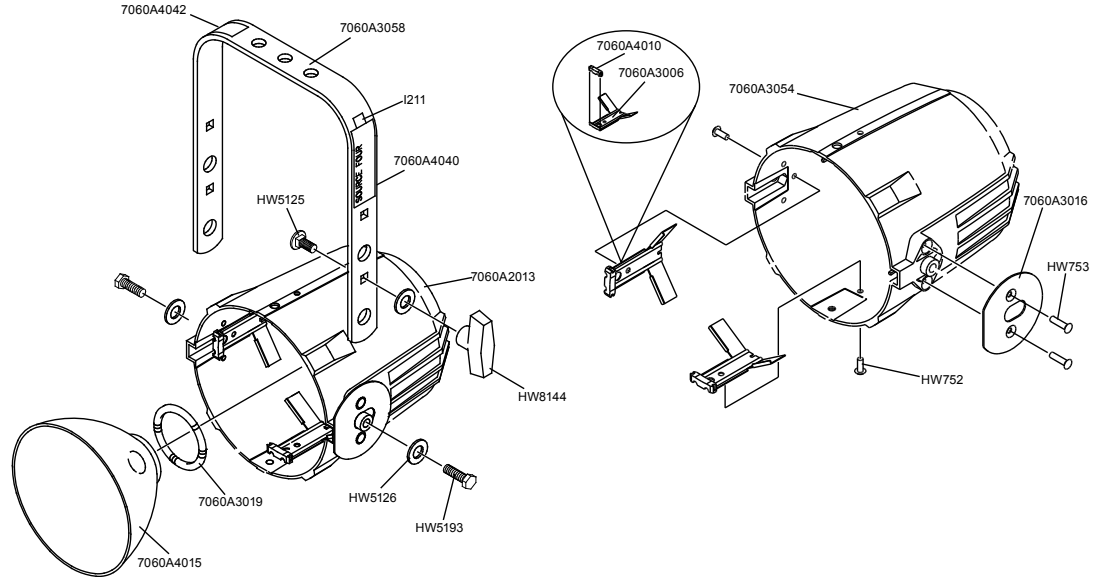
Lamp Burner Assembly



Part #	Description	List Price
7060A1033	Lamp retainer retrofit kit (Note: Does not include socket)	€
7060A2070	Burner/Strain Relief Assembly, Black	€
7060A2070-1	Burner/Strain Relief Assembly, White	€
7060A3007	Socket, light baffle casting (Note: For all related luminaires regardless of colour)	€
7060A3011	Hub, index casting	€ Á
7060A3012	Spring, lamp retainer	€
7060A3025	Screw, 1/4-20x1.55 knurled head	€
7060A3055	Housing, socket casting, black	€
7060A3085	Lamp retainer wire	€
7060A3204	Bolt, 1/4-20 x 1/75, full thread	€
7060A4007	Knob, X-Y, lamp set	€
7060A4008-02	Knob, Z, lamp set w/ female insert	€
7060A4011	Bushing cup	€
7060K1001	Insulated Handle Kit, Black includes handle and 4 each HW2181	€
7060B7013	S4 Euro Cable Assembly 1.5m	€
7060B7014	S4 Euro Ground Wire	€
7060B7017	S4 Safety Wire Assembly Bronze	€
HW2181	Screw, self tap, 6-32 x 5/8, black zinc (Spare for Rear handle)	€
HW3103	Screw, 8-32 x 5/8 PhFHMS, black zinc	€
HW349	Screw, WSH EXT #8.170X.381X.023 ZC	€
HW385	Screw, 8-32 X3/8 PH SEMS EXT ZC	€
HW5123	Nut, hex, 9/16-18, black zinc	€
HW534	Nut, Hex, 1/4-20, black zinc	€

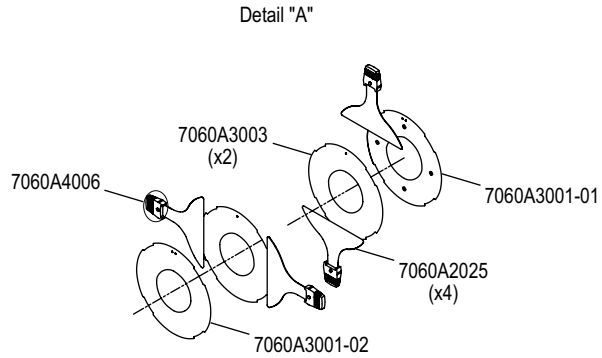
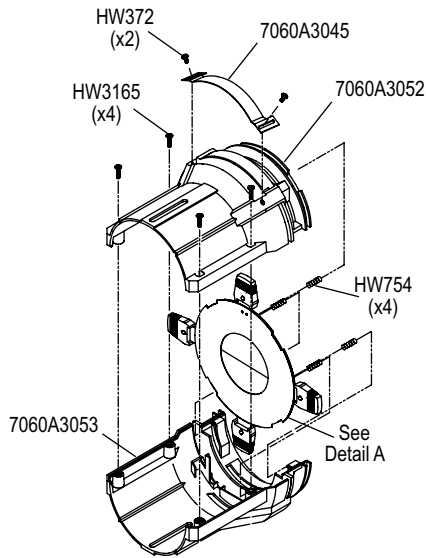
HW746	Screw Retainer Flat 12-6-1	€
HW747	Washer, wave	€
HW748	Spring, compression CO720-072	€
HW749	Spring Ground C0360-026-750	€
HW8209	Clip, Tinnerman	€

Reflector Housing Assembly



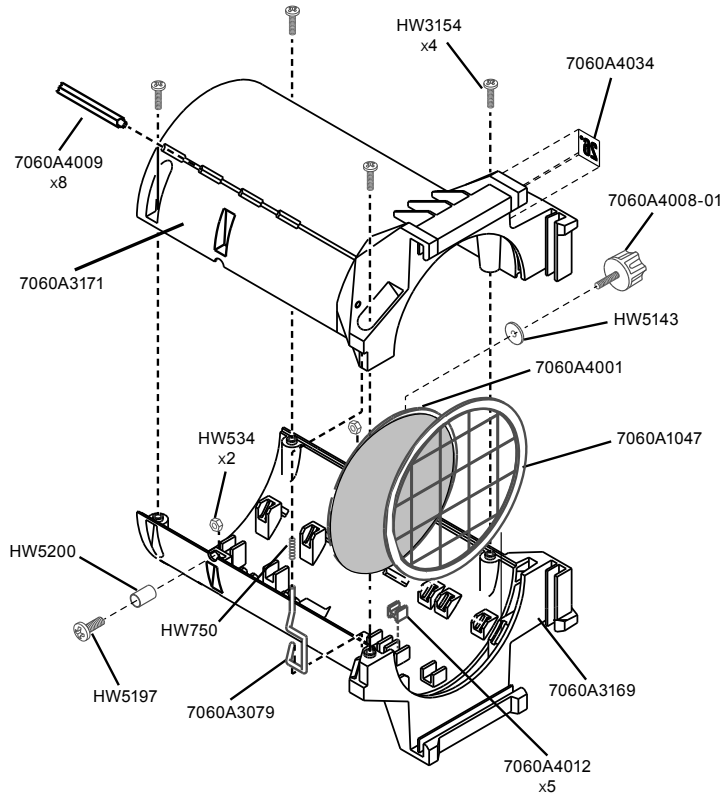
Part #	Description	List Price
7060A2013	Rear housing rivet assembly, single clutch, Black	€
7060A2013-1	Rear housing rivet assembly, single clutch, White	€
7060A2019	Rear housing rivet assembly, double clutch, Black	€
7060A2019-1	Rear housing rivet assembly, double clutch, White	€
7060A3006	Clip, reflector retainer	€
7060A3019	Spring, reflector support	€
7060A3058	Bracket, Yoke, Black	€
7060A3058-1	Bracket, Yoke, White	€
7060A3080	Light leak baffle, black	€
7060A4010	Bushing, gate	€
7060A4015	Reflector, molded glass, coated	€
HW5125	Bolt, carriage 5/16-18 x 3/4" LG	€
HW5126	Washer, flat, 5/16, black zinc	€
HW5127	Nut, hex, 5/16-18	€
HW5193	Bolt, hex, 5/16-18 x 3/4", black zinc	€
HW5197	Screw, PH, 1/4-20 x 5/8", black zinc	€
HW752	Rivet, machine, 3/16 x 31, oval head, black zinc	€
HW8144	Handle, yoke, knob, 5/16-15, Black	€
HW8144-1	Handle, yoke, knob, 5/16-15, White	€

Front Barrel Assembly



Part #	Description	List Price
7060A2025	Shutter blade assembly includes set of 4 blades	€
7060A3001-01	Plate, divider with dimples (bottom)	€
7060A3001-02	Plate, divider (top)	€
7060A3003	Plate, gate (middle)	€
7060A3045	Cover, Iris Slot, Black	€
7060A3045-1	Cover, Iris Slot, White	€
7060A3052	Front barrel, top casting, Black	€
7060A3052-1	Front barrel, top casting, White	€
7060A3053	Front barrel, bottom casting, Black	€
7060A3053-1	Front barrel, bottom casting, White	€
7060A4006	Shutter blade handle	€
HW232	Screw, 6-32x1/4" (Slot cover retention - pre 11/99)	€
HW3165	Screw, 8-32x1/2 PhPH Taptite Blz	€
HW370	Nut, Ny-lok, 8/32, black zinc	€
HW372	Screw, 8-32x1/4"(begins 11/99)	€
HW391	Screw, 8-32x3/4" PhPHMS, black zinc	€
HW754	Shutter spring	€

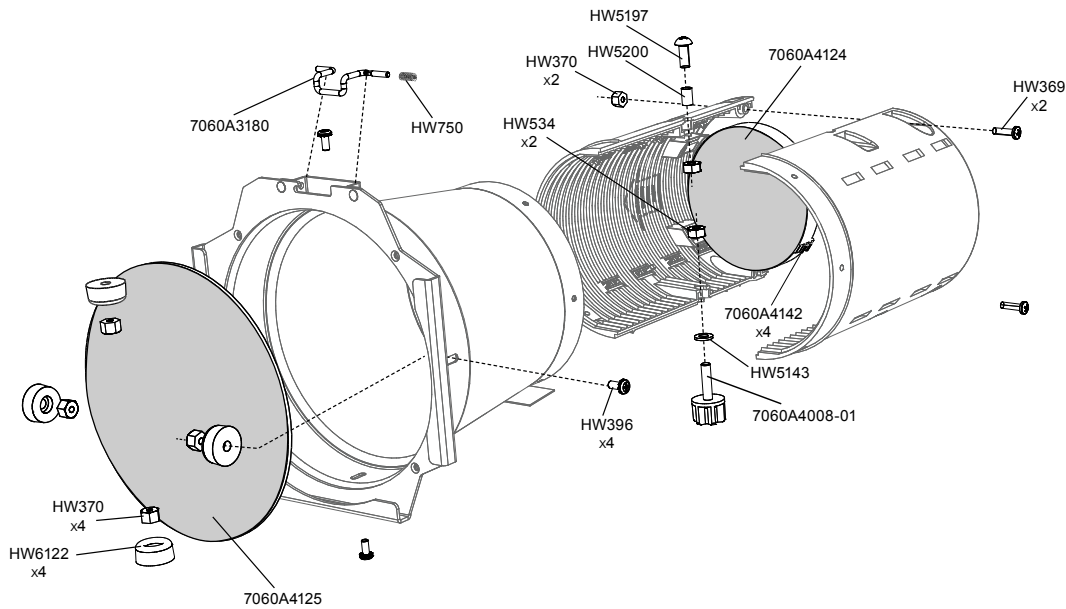
Common Parts for Lens Tube Assembly - 19° to 50°



Part #	Description	List Price
7060A1034	S4 Safety Screen (luminaires prior to 10/98)	€
7060A1047	S4 Safety Screen II	€
7060A3079	Clip, gel retainer, 90° bend	€
7060A3169	Lens Tube, left casting, Black (rev. J begins 01/06 to present)	€
7060A3169-1	Lens Tube, left casting, White (rev. J begins 01/06 to present)	€
7060A3171	Lens Tube, right casting, Black (rev. J begins 01/06 to present)	€
7060A3171-1	Lens Tube, right casting, White (rev. J begins 01/06 to present)	€
7060A4001	Aspheric lens, 26°	€
7060A4004	Aspheric lens, 50°	€
7060A4008-01	Knob set with male insert	€
7060A4009	Bushing, guide	€
7060A4012	Pad, lens support	€
7060A4020	Meniscus lens (front), 36°	€
7060A4021	Bi-convex lens (back), 36°	€
7060A4077	Aspheric lens, 19° (begins 10/98)	€
HW369	Screw, Phillips, 8-32 x 5/8 Taptite	€
HW5143	Washer, flat fiber	€
HW534	Nut, Hex, 1/4-20, black zinc	€
HW750	Spring, retainer	€

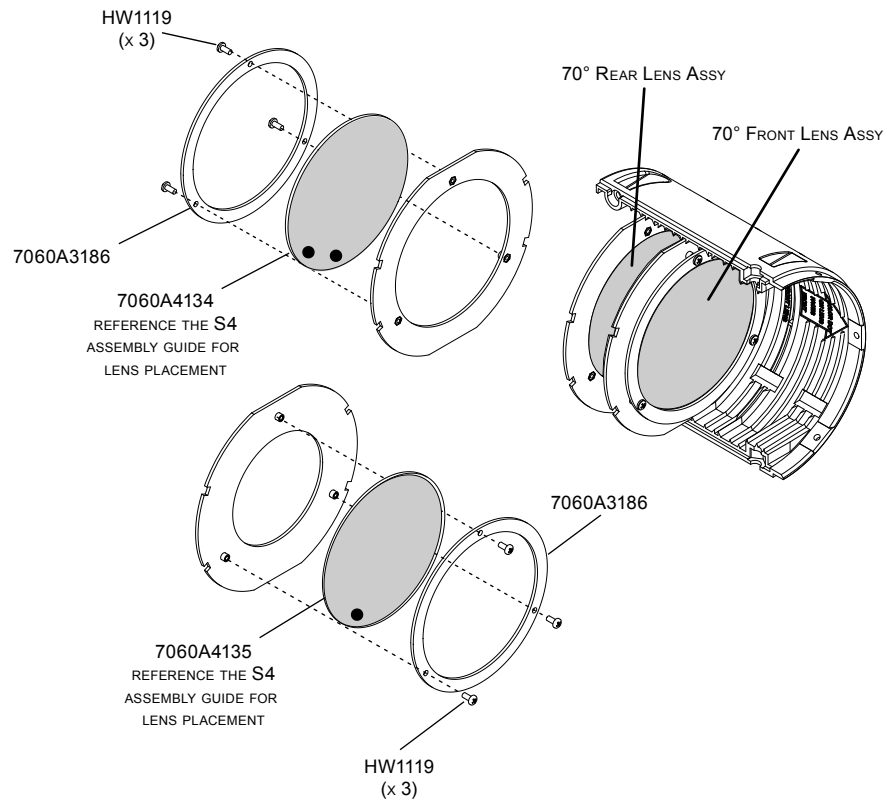
NOTE: The date of manufacture is labeled on the Source Four yoke assy.

14° Lens Tube



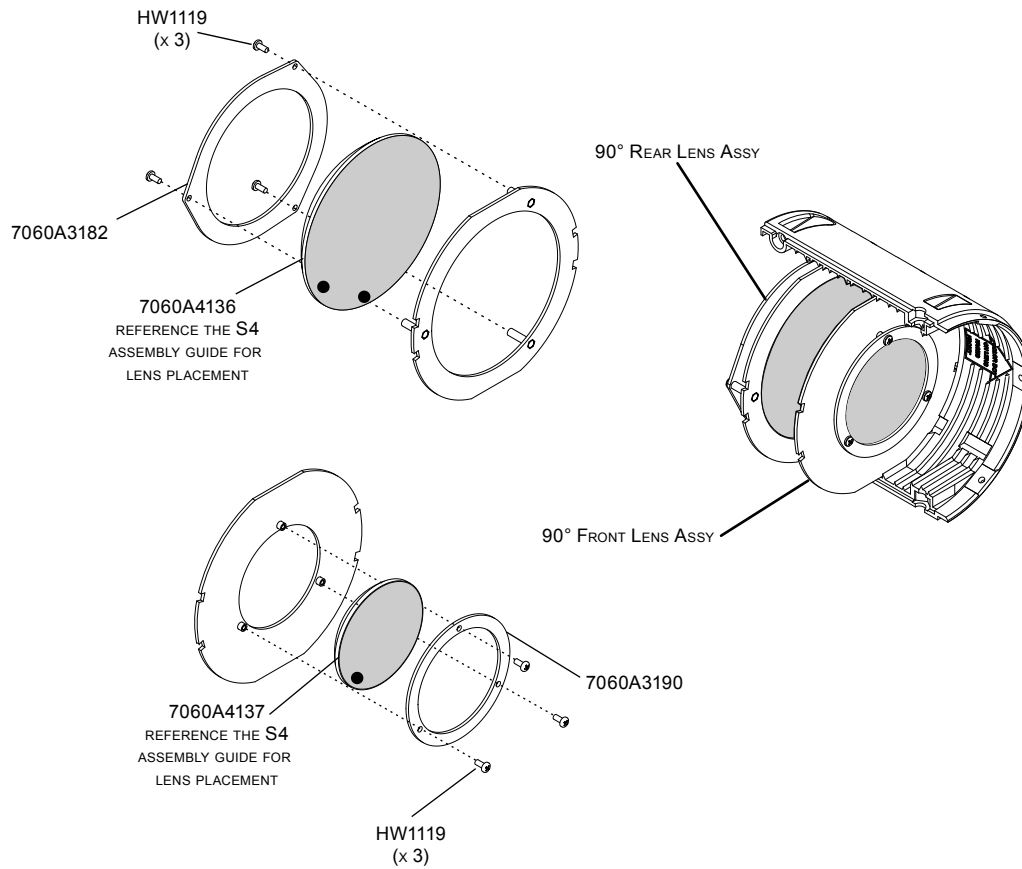
Part #	Description	List Price
7060A3180	Gel clip, lens tube (common to the S4 14°, 70°, and 90° lens tubes)	€
7060A4124	14° Lens, Rear	€
7060A4125	14° Lens, Front	€
7060A4142	Lens Pad	€
HW307	Screw, Phillips, 8-32 x 3/8, PHMS (used on 14° lens tubes rev C and earlier)	€
HW370	Nut, 8-32 (common to S4 5°, 10°, 14°, 70° and 90° lens tubes)	€
HW396	Screw, 8-32x3/8" PhPHMS, Sems, black zinc	€
HW369	Screw, Phillips, 8-32 x 5/8 Taptite (common to S4 14°, 70° and 90° lens tubes)	€
HW3104	Washer, #8 (used on 14° lens tubes rev C and earlier)	€
HW5197	Screw, 1/4-20x5/8 Ph PH MS BZ (common to all S4 lens tubes)	€
HW5200	Washer, .251 ID x .281 OD .438L SH BS (common to all S4 lens tubes)	€
HW534	Nut, 1/4-20 Hex 7/16 7/32 BZ (common to all S4 lens tubes)	€
HW6122	Bumper, rubber (common to the S4 5°, 10°, and 14° lens tubes)	€
HW750	Spring retainer (common to the S4 14°, 70°, and 90° lens tubes)	€

70° Lens Tube



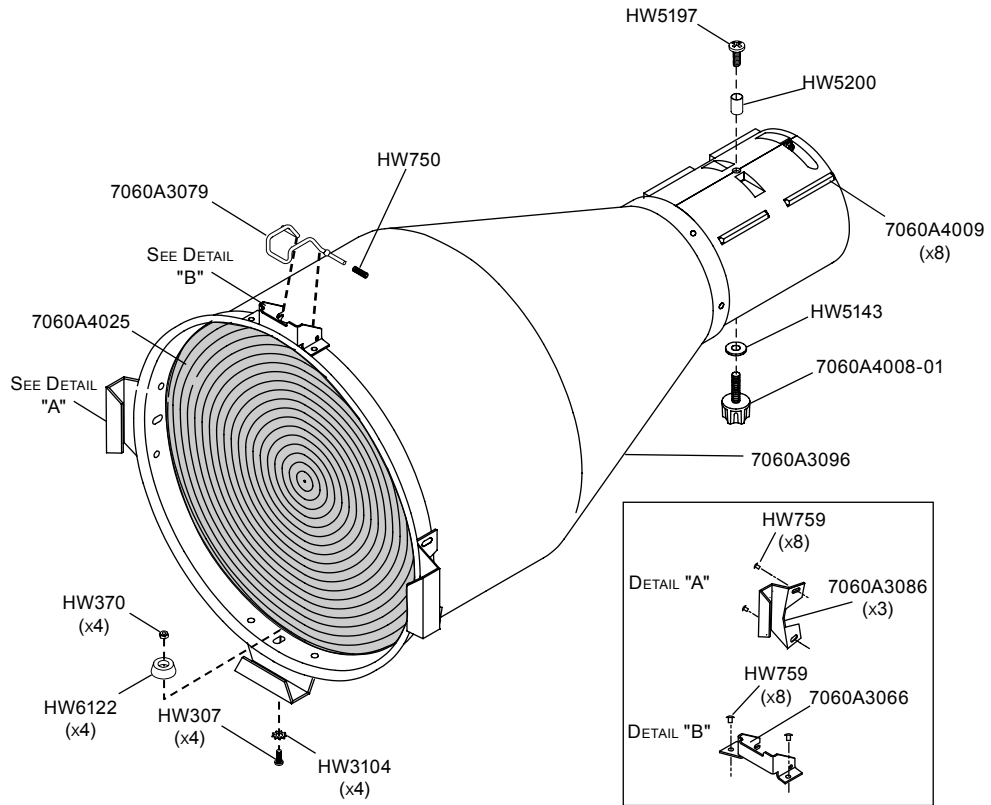
Part #	Description	List Price
7060A4134	Rear lens, 70°	€
7060A4135	Front lens, 70°	€
7060A3180	Gel clip, lens tube (common to the S4 14°, 70°, and 90° lens tubes)	€
7060A3186	Retaining ring	€
HW1119	Screw, Phillips, 4-40 x 1/4, SEMS, PHMS	€
HW750	Spring retainer (common to the S4 14°, 70°, and 90° lens tubes)	€

90° Lens Tube



Part #	Description	List Price
7060A4136	Rear lens, 90°	€
7060A4137	Front lens, 90°	€
7060A3180	Gel clip, lens tube (common to the S4 14°, 70°, and 90° lens tubes)	€
7060A3182	Retaining ring, 90°, rear lens	€
7060A3190	Retaining ring, 90°, front lens	€
HW1119	Screw, Phillips, 4-40 x 1/4, SEMS, PHMS	€
HW750	Spring retainer (common to the S4 14°, 70°, and 90° lens tubes)	€

10° Lens Tube

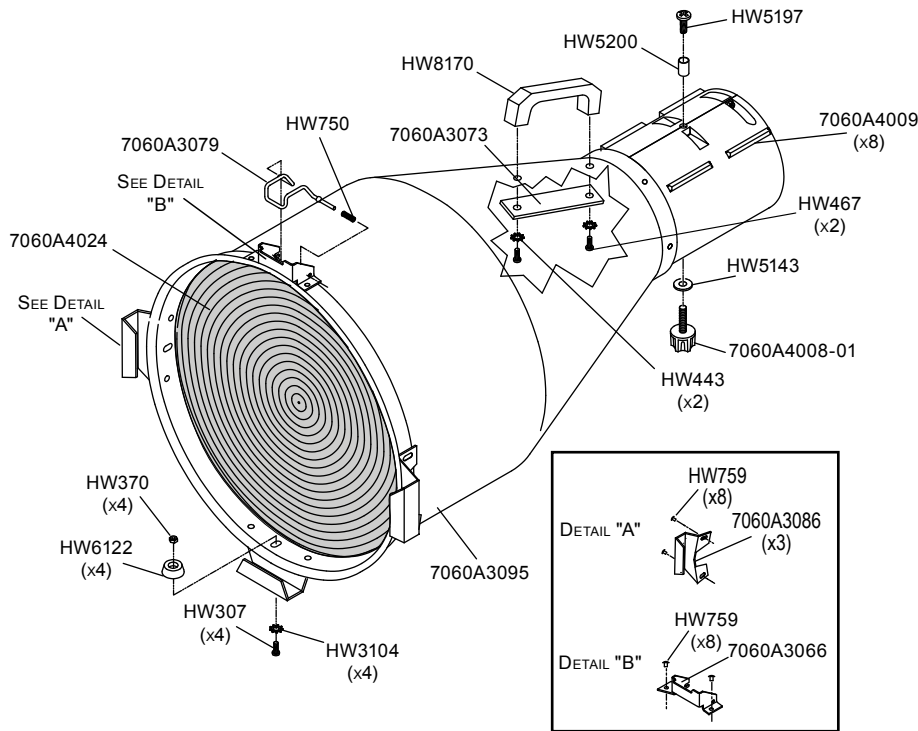


Part #	Description	List Price
7060A3066	Bracket, gel clip	€
7060A3079	Clip, gel retainer with 90° bend	€
7060A3096	10° lens tube assembly, Black, empty	€
7060A3096-1	10° lens tube assembly, White, empty	€
7060A4008-01	Knob set with male insert	€
7060A4009	Bushing, guide	€
7060A4025	Lens, 10°, 10 inch	€
HW307	Screw, 8-32 x 38LG, SPHMS, black zinc	€
HW3104	Washer, 170 x 381 x 023, black zinc	€
HW370	Nut, Ny-lok, 8/32, black zinc	€
HW5143	Washer, flat fiber	€
HW5197	Screw, 1/4-20 x 5/8", black zinc	€
HW5200	Washer, SH, .253 x .281 x .438, black, zinc	€
HW6122	Bumper, rubber	€
HW750	Spring, retainer	€
HW759	Rivet, machined, 125 x 125LG oval HD, ST	€

10° Lens Tubes Prior to 3/96

Part #	Description	List Price
7060A3065	Clip, gel holder	€
7060A3081	Gel ear mounting bracket	€
HW396	Screw, 8-32 x 3/8" PhPHMS, SEMS, black zinc	€

5° Lens Tube

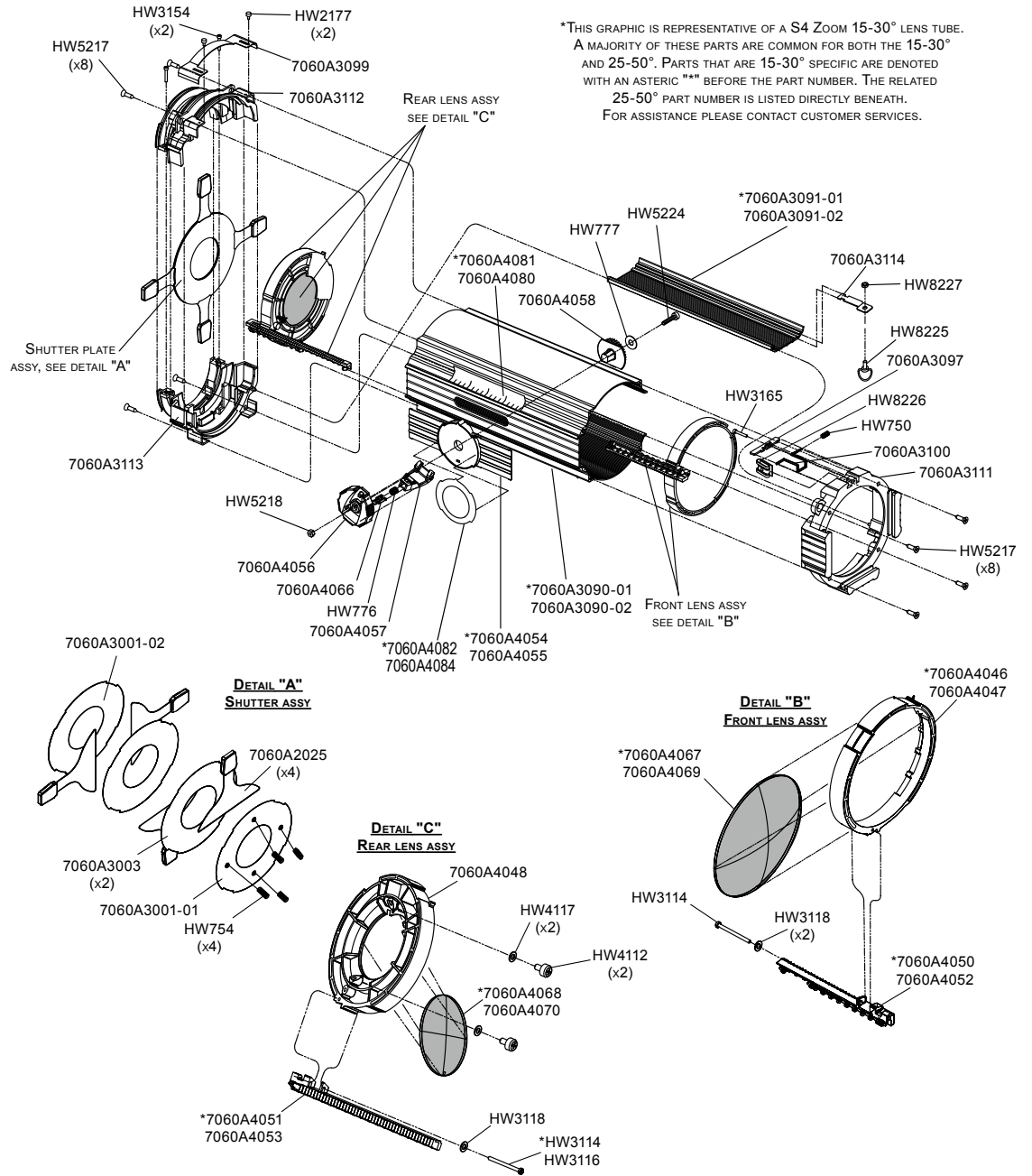


Part #	Description	List Price
7060A3066	Bracket, gel clip	€
7060A3073	Handle backing plate	€
7060A3086	Gel holder, 5° and 10°	€
7060A3095	5° lens tube assembly, Black, empty	€
7060A3095-1	5° lens tube assembly, White, empty	€
7060A4008-01	Knob set with male insert	€
7060A4009	Bushing, guide	€
7060A4024	Lens, 5°, 12"	€
HW307	Screw, 8-32 x 38LG, SPHMS, black zinc	€
HW3104	Washer, 170 x 381 x 023, black zinc	€
HW370	Nut, Ny-lok, 8/32, black zinc	€
HW443	Washer, 195 x 410 x 025, black zinc	€
HW467	Screw, 10-32 x 1/2" PHTRMS	€
HW5143	Washer, flat fiber	€
HW5197	Screw, 1/4-20 x 5/8", black zinc	€
HW5200	Washer, SH, .253 x .281 x .438, black, zinc	€
HW6122	Bumper, recess rubber	€
HW750	Spring, retainer	€
HW759	Rivet, machined, 125 x 125LG oval HD, ST	€
HW8170	Handle, 10-32 inserts	€

5° Lens Tubes Prior to 3/96

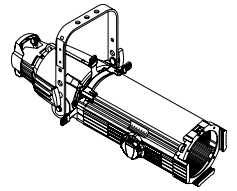
Part #	Description	List Price
7060A3065	Clip, gel holder	€
7060A3081	Gel ear mounting bracket	€
HW396	Screw, 8-32x3/8" PhPHMS, SEMS, black zinc	€

Source Four Zoom Parts

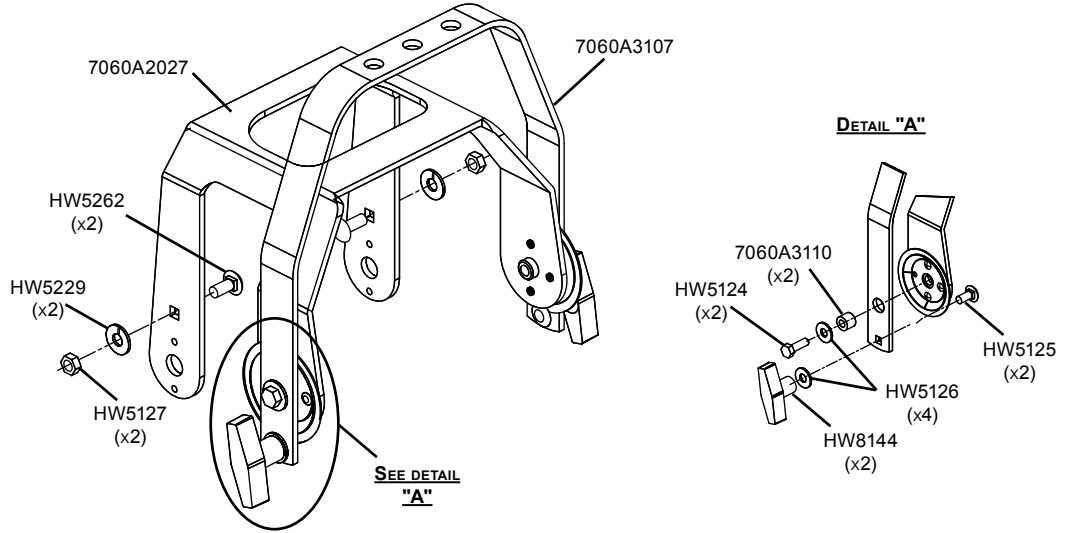


Source Four Zoom Parts

Part #	Description	List Price
7060A3088	Shutter Plate 22 GA	€
7060A3090-01	Extrusion, 15-30° Lens Tube	€
7060A3090-02	Extrusion, 25-50° Lens Tube	€
7060A3091-01	Extrusion, Door 15-30° (after 01/01)	€
7060A3091-02	Extrusion, Door 25-50° (after 01/01)	€
7060A3097	Plate, Gel clip retainer	€
7060A3099	Cover, Iris Slot	€
7060A3100	Gel Clip, 90° wire form BO	€
7060A3111	Endcap, Gel frame, Black	€
7060A3112	Gate Barrel top (after 01/01)	€
7060A3113	Gate Barrel bottom (after 01/01)	€
7060A3114	Latch Bracket	€
7060A4046	Front Lens Holder, 15-30°	€
7060A4047	Front Lens Holder, 25-50°	€
7060A4048	Rear Lens Holder	€
7060A4050	Gear, Rack Front, 15-30°	€
7060A4051	Gear, Rack Rear, 15-30°	€
7060A4052	Gear, Rack Front, 25-50°	€
7060A4053	Gear, Rack Rear, 25-50°	€
7060A4054	Light Baffle, 15-30° (after 01/01)	€
7060A4055	Light Baffle, 25-50° (after 01/01)	€
7060A4056	Adjustment knob	€
7060A4057	CAM Lever	€
7060A4058	Spur Gear (after 01/01)	€
7060A4066	CAM Lever Push Button	€
7060A4067	Front Lens, 15-30°	€
7060A4068	Rear Lens, 15-30°	€
7060A4069	Front Lens, 25-50°	€
7060A4070	Rear Lens, 25-50°	€
7060A4109	Spur Gear (before 01/01)	€
HW2177	Thumbscrew, 8-32 x 1/4	€
HW3114	Screw, 8-32 x 2" PhPHST	€
HW3116	Screw, 8-10 x 1-1/2" PhPHSTPL black zinc (25-50° rear lens only)	€
HW3118	Washer, flat 8, .187 x .437 x .047 black zinc	€
HW3154	Screw, Taptite, 8-32 x 5/8	€
HW4112	Screw, 10-14 x 5/8" ST Plastic black	€
HW4117	Washer, flat #10, lens knob	€
HW5217	Screw, 1/4-14 x 1" PhOHSL	€
HW5218	Nut, 1/4-20 metal lock lowpro	€
HW5224	Screw, 1/4-20 x 1-1/4" PhPHBMS black zinc	€
HW750	Spring, retainer	€
HW751	Rivet, shutter blade assembly	€
HW754	Spring, shutter	€
HW776	Push button spring	€
HW777	Washer spring	€
HW8225	Bail style 1/4 turn fastener	€
HW8226	Clip on receptacles	€
HW8227	Retainer washer	€



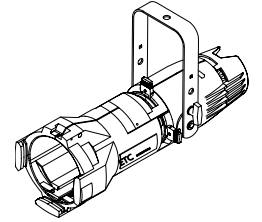
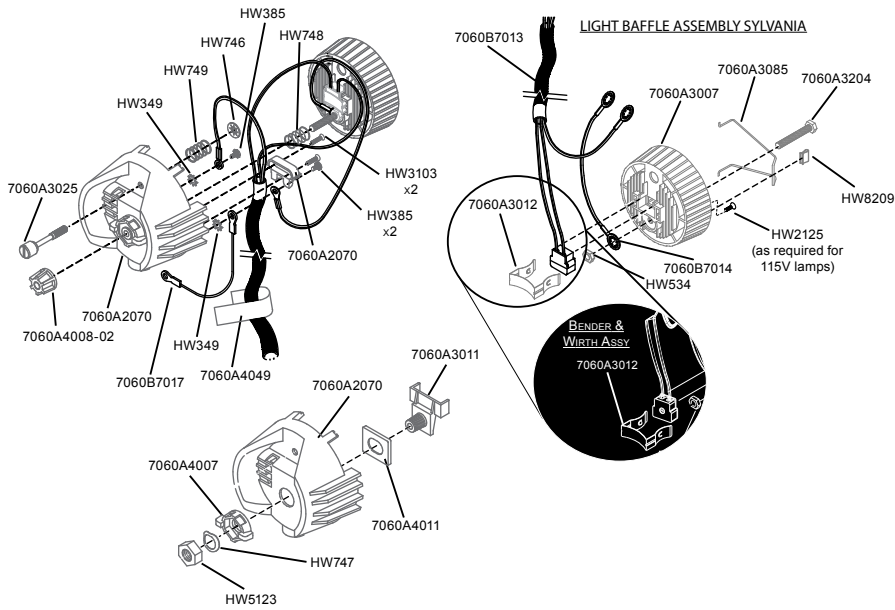
Balance Yoke for 15° - 30° (7060A2028)



Part #	Description	List Price
7060A2027	Fixed Yoke Rivet Assembly	€
7060A3107	Yoke Moveable Balance	€
7060A3110	Fixed Balance Standoff	€
HW5124	Bolt, 5/16-18 x 1.0m HHCS G-5 black zinc	€
HW5125	Bolt, carriage 5/16-18 x 3/4" LG	€
HW5126	Washer, flat, 5/16, black zinc	€
HW5127	Nut, hex, 5/16-18	€
HW5262	Carriage Bolt	€
HW5229	Washer, 5/16 split black zinc	€
HW8144	Handle, yoke, knob, 5/16-16	€

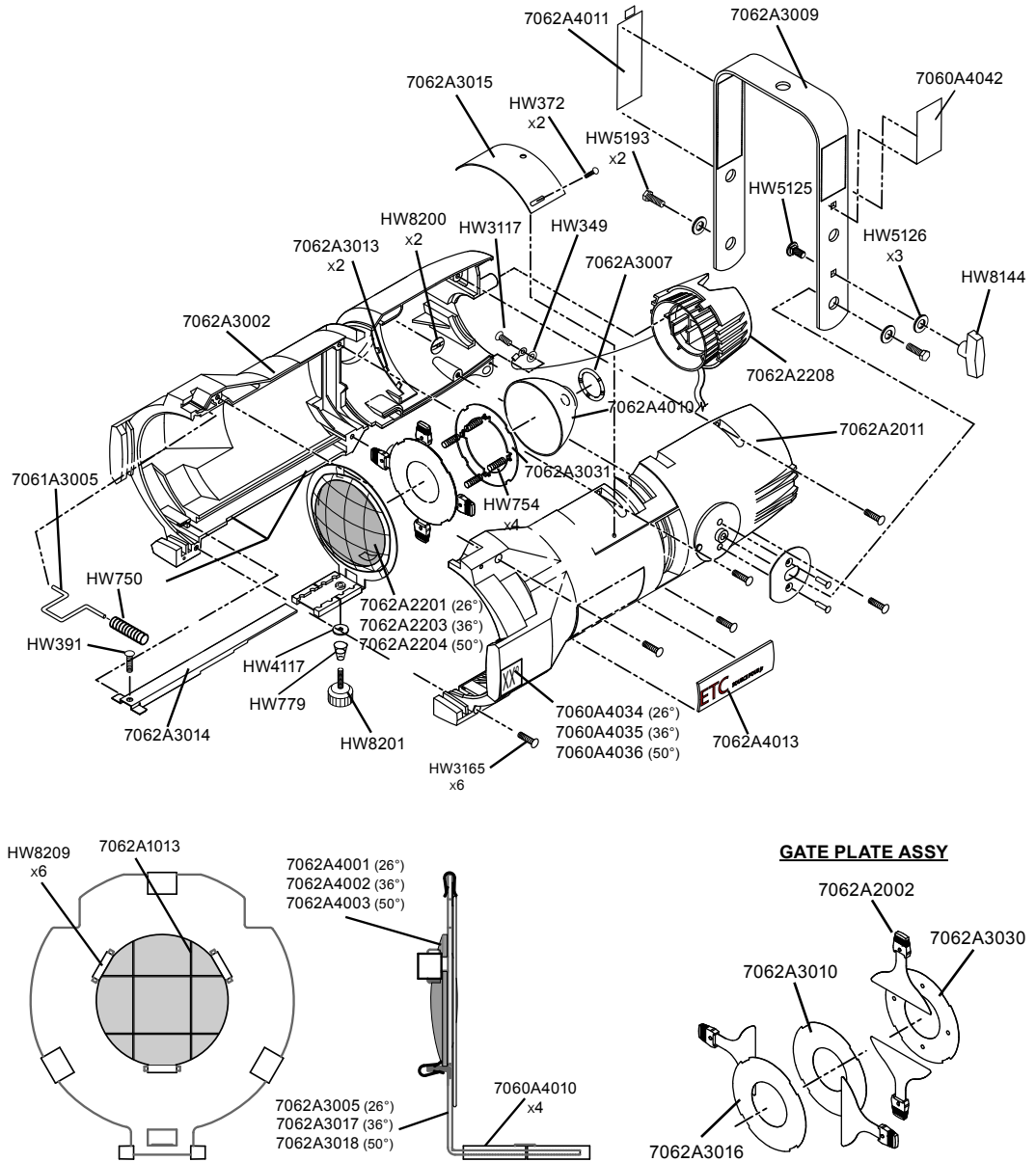
Source Four® jr™

Lamp Burner Assembly



Part #	Description	List Price
7062A2208	Lamp burner assembly, Black	€
7062A2208-1	Lamp burner assembly, White	€
7060A3007	Socket, light baffle casting (Used with all luminaires, regardless of color.)	€
7060A3011	Hub, index casting	€
7060A3012	Spring, lamp retainer	€
7060A3025	Screw, 1/4-20 knurled head	€
7060A3055	Housing, socket, casting, Black	€
7060A2070	Burner/Strain Relief Assembly	€
7060A2070-1	Burner/Strain Relief Assembly, White	€
7060A3085	Lamp retainer wire	€
7060A3204	Bolt, 1/4-20x1.75 HHCS BO Full Thread	€
7060A4007	Knob, X-Y, lamp set	€
7060A4008-02	Knob, Z, lamp set w/ female insert	€
7060A4011	Bushing, cup	€
7060B7013	Source Four jr CE Cable Assy, Ceramic/Mica	€
7060B7014	Source Four jr CE ground wire assembly	€
7060B7017	S4 Safety Wire Assembly, Bronze	€
HW2125	Screw, self tap, 6-32 x 3/8", black zinc	€
HW3103	Screw, 8-32 x 5/8" PhFHMS, black zinc	€
HW5123	Nut, hex, 9/16-18, black zinc	€
HW534	Nut, Hex, 1/4-20, black zinc	€
HW746	Screw Retainer Flat 12-6-1	€
HW747	Washer, wave	€
HW748	Spring, compression CO720-072	€
HW749	Spring Ground	€
HW8209	Clip, Tinnerman	€

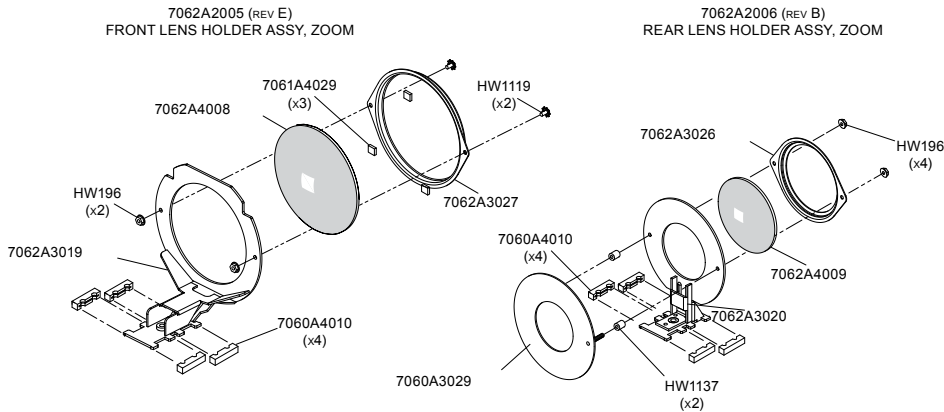
Source Four jr Components



Part #	Description	List Price
7060A4010	Bushing, gate	€
7061A3005	Clip, gel retainer	€
7062A1013	S4 Junior Safety Screen	€
7062A2002	Shutter blade assembly	€
7062A2201	S4jr lens holder assy CE, 26°	€
7062A2203	S4jr lens holder assy CE, 36°	€
7062A2204	S4jr lens holder assy CE, 50°	€
7062A2208	Lamp burner assembly CE, Black	€
7062A2208-1	Lamp burner assembly CE, White	€
7062A2011	Barrel, right rivet assembly, Black	€
7062A2011-1	Barrel, right rivet assembly, White	€
7062A3002	Barrel, left casting, Black	€
7062A3002-1	Barrel, left casting, White	€
7062A3005	Lens holder, 26°	€
7062A3007	Spring, round, reflector	€
7062A3009	Yoke, jr, Black	€
7062A3009-1	Yoke, jr, White	€

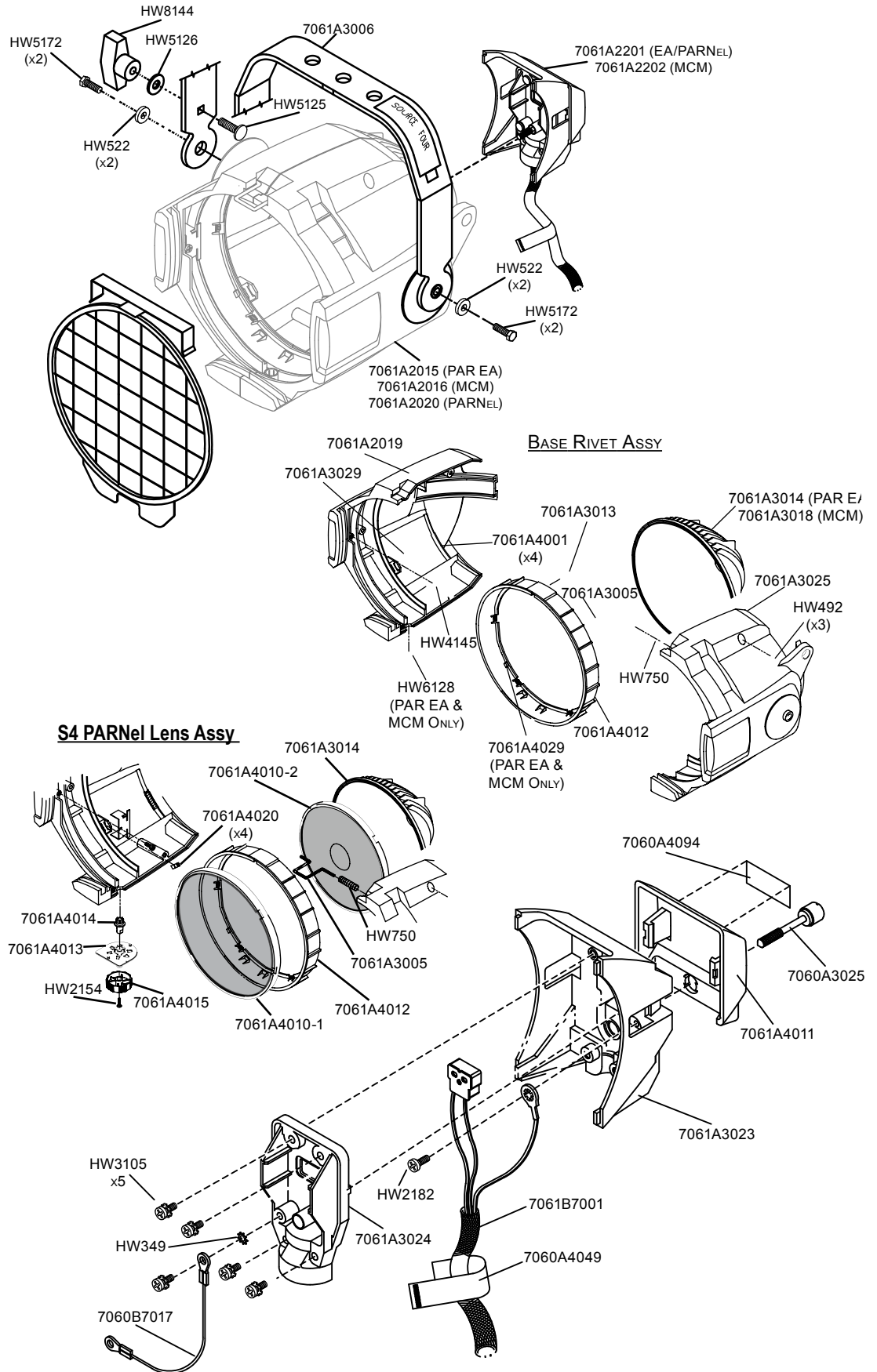
7062A3010	Plate, gate	€
7062A3013	Spring, reflector support	€
7062A3014	Light baffle strip	€
7062A3015	Cover, iris slot, Black	€
7062A3015-1	Cover, iris slot, White	€
7062A3016	Plate, divider	€
7062A3017	Lens holder, 36°	€
7062A3018	Lens holder, 50°	€
7062A3030	Plate, divider w/ dimples	€
7062A3031	Plate, support, spring	€
7062A4001	Lens, 26°	€
7062A4002	Lens, 36°	€
7062A4003	Lens, 50°	€
7062A4010	Reflector, jr, glass	€
HW3165	Screw, 8-32 x 1/2 PhPH Taptite (begins 01/03)	€
HW369	Screw, 8-32 x 5/8" PhPHMS, black zinc (before 01/03)	€
HW372	Screw, PhPHMS 8-32 x 1/4" black oxide	€
HW391	Screw, 8-32 x 3/4" PhPHMS, black zinc	€
HW4117	Washer, flat #10, lens knob	€
HW5125	Bolt, carriage 5/16-18 x 3/4" LG	€
HW5126	Washer, flat, 5/16, black zinc	€
HW5193	Bolt, hex, 5/16-18 x 3/4", black zinc	€
HW750	Spring, retainer	€
HW754	Spring, shutter	€
HW779	Spring, lens knob	€
HW8144	Handle, yoke, knob, 5/16-17, Black	€
HW8144-1	Handle, yoke, knob, 5/16-16, White	€
HW8200	Retainer, push on (C1840-012)	€
HW8201	Lens knob 10-32 x 50 LG	€

Source Four jr Zoom Lens Assembly



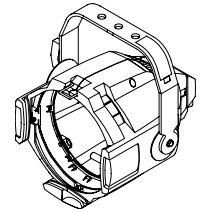
Part #	Description	List Price
7062A1013	S4 Junior Safety Screen	€
7062A2005	S4jr lens holder assy, zoom front (includes lens)	€
7062A2006	S4jr lens holder assy, zoom rear (includes lens)	€
7062A3019	Lens holder, 25°-50°, front	€
7062A3020	Lens holder, 25°-50°, rear	€
7062A3026	Lens cover, 25°-50°, rear	€
7062A3027	Lens cover, 25°-50°, front	€
7062A4008	Lens, 25°-50°, front	€
7062A4009	Lens, 25°-50°, rear	€
7060A4010	Bushing, gate	€
7061A4029	Lens stop	€
HW1119	Screw, 4-40x1/4 PhPHMS EXT	€
HW1137	Spacer 5/16	€
HW196	Nut, 4-40 Keps	€

Source Four® PAR™ EA, PAR MCM, & PARnel™



Lamp Burner Assembly

Part #	Description	List Price
7061A3023	Burner, casting, Black	€
7061A3023-1	Burner, casting, White	€
7061A3024	Strain relief, casting, Black	€
7061A3024-1	Strain relief, casting, White	€
7060A3025	Screw, 1/4-20x1.55 knurled head	€
7061A4011	Focus Handle, Black	€
7061A4011-1	Focus Handle, White	€
7061B7001	S4PAR Euro Cable Assembly	€
7060B7017	Safety Wire Assembly Bronze	€
HW2125	Screw, self tap,6-32 x 3/8",black zinc	€
HW2182	Screw, self tap,6-32 x 1/4",black zinc	€
HW3105	Screw, 8-32 x 1/2" PHPHMS SEMS	€
HW349	Washer, ext. #8 ZC	€



Source Four PAR EA, PAR MCM & PARNel Components

Part #	Description	List Price
7061A1030	S4 PAR Safety Screen	€
7061A2015	Source Four PAR housing assembly, EA, Black	€
7061A2015-1	Source Four PAR housing assembly, EA, White	€
7061A2016	Source Four PAR housing assembly, MCM, Black	€
7061A2016-1	Source Four PAR housing assembly, MCM, White	€
7061A2019	Housing rivet assembly, left, PAR, Black	€
7061A2019-1	Housing rivet assembly, left, PAR, White	€
7061A2201	Lamp burner assembly — EA PAR & PARNel, Black	€
7061A2201-1	Lamp burner assembly — EA PAR & PARNel, White	€
7061A2202	Lamp burner assembly — MCM PAR, Black	€
7061A2202-1	Lamp burner assembly — MCM PAR, White	€
7061A3006	Bracket, yoke, Black	€
7061A3006-1	Bracket, yoke, White	€
7061A3013	Spring clip, retainer	€
7061A3014	Reflector, EA, painted, Black	€
7061A3014-1	Reflector, EA, painted, White	€
7061A3018	Reflector, MCM	€
7061A3025	Housing, right, PAR, Black	€
7061A3025-1	Housing, right, PAR, White	€
7061A3029	Rotator pressure clip	€
7060A3100	Clip, gel retainer	€
7061A4001	Pad silicon reflector mount	€
7061A4002	Very Narrow Spot Lens (VNSL)	€
7061A4003	Narrow Spot Lens (NSL)	€
7061A4005	Medium Flood Lens (MFL)	€
7061A4006	Wide Flood Lens (WFL)	€
7061A4012	Lens rotation ring, Black	€
7061A4012-1	Lens rotation ring, White	€
7061A4029	Lens stop	€
HW4145	Screw, 10-32 x 3/8, PhPH Taptite	€
HW492	Screw, 10-32 x 5/8, PhPH Taptite	€
HW5125	Bolt, carriage 5/16-18 x 3/4" LG	€
HW5126	Washer, flat, 5/16, black zinc	€
HW5172	Bolt, hex 1/4-20 x 3/4", black zinc	€
HW522	Washer, flat, 1/4, black zinc	€
HW6128	Plug, focus knob, Black	€
HW6128-1	Plug, focus knob, White	€
HW750	Spring, retainer	€
HW8144	Handle, yoke, knob, 5/16-18, Black	€
HW8144-1	Handle, yoke, knob, 5/16-18, White	€

Source Four PARNet Specific Parts

NOTE: See PARNet Lens Assy graphic on page 20.

Part #	Description	List Price
7061A4010-1	Stippled PARNet Lens	€
7061A4010-2	Clear/Smooth PARNet Lens	€
7061A4013	Focus Knob Bushing	€
7061A4014	Focus Knob Gear	€
7061A4015	Focus Knob	€
7061A4020	PARNet Lens Pads	€
HW2154	Screw, PhPH, 6-19 X 1/2L, 48-2 Plastite	€

Source Four MultiPAR Specific Parts

Part #	Description	List Price
--------	-------------	------------

1 x 3 Version

7061A2037	1 x 3 MultiPAR Base Assembly	€
consisting of the following items:		
	7061A2033 - Chase Assembly 1 x 3 MultiPAR	€
	7061A2031 - MultiPAR Assembly Wash Bottom 1 x 3	€
	7061A3055 - MultiPAR 3 Wash Top	€
	7061A2027 - MultiPAR Lamp Socket Assembly 3'	€

1 x 4 Version

7061A2041	1 x 4 MultiPAR Base Assembly	€
consisting of the following items:		
	7061A2040 - Chase Assembly 1 x 4 MultiPAR	€
	7061A2039 - MultiPAR Assembly Wash Bottom 1 x 4	€
	7061A3075 - MultiPAR 4 Wash Top	€
	7061A2027 - MultiPAR Lamp Socket Assembly 3'	€
	7061A2028 - MultiPAR Lamp Socket Assembly 5'	€

1 x 12 Version

7061A2038	1 x 12 MultiPAR Base Assembly	€
consisting of the following items:		
	7061A2034 - Chase Assembly 1 x 12 MultiPAR	€
	7061A2032 - MultiPAR Assembly Wash Bottom 1 x 12	€
	7061A3053 - MultiPAR 12 Wash Top	€
	7061A2027 - MultiPAR Lamp Socket Assembly 3'	€
	7061A2028 - MultiPAR Lamp Socket Assembly 5'	€
	7061A2029 - MultiPAR Lamp Socket Assembly 7'	€

Shared Assembly Parts

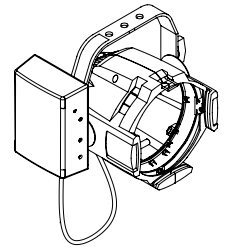
7061A2030	MultiPAR Casting Body Assembly	€
7061A3047	MultiPAR Casting Endcap Black	€
7061A3058	MultiPAR Chase Flange	€
HW4158	Screw, 10-32 x 1/2 Ph FH TPT BZ	€
HW4170	Screw, 10-32 x 3/8 Ph PH MS TPT BZ	€
HW492	Screw, 10-32 x 5/8, PhPH Taptite	€

Shared Other Parts

7061A1030	S4 PAR Safety Screen	€
7061A3052	MultiPAR Electrical Cover	€
7061A3070	MultiPAR Strain Relief Bar	€
HW316-1	Screw, 8-18 x 1 Ph PH MS Zinc	€
HW326	Screw, 8-18 x 1 Ph PH MS Zinc	€
HW375	Nut, 8-32 x 1/4 1/8 Keps Zinc	€

ETC HID Luminaire Parts

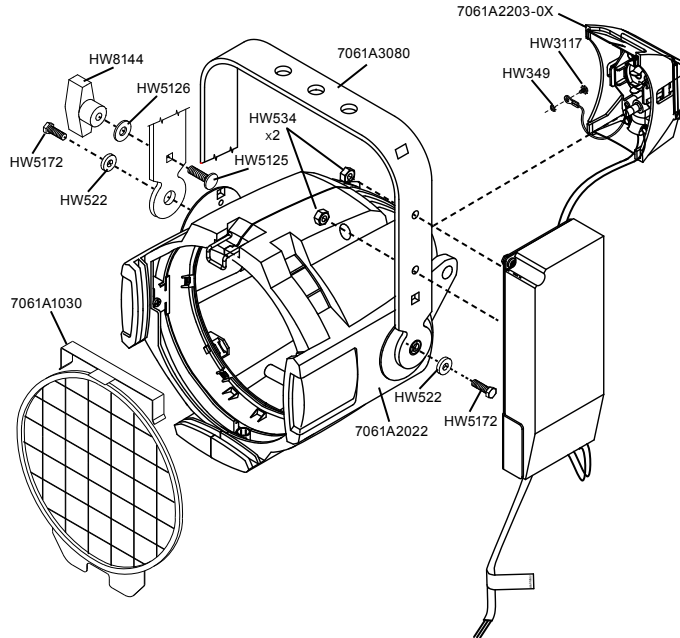
Important: The information contained in the HID section only reflects parts specifically used with HID luminaires. If the part required is not found in this section please refer back to the main Source Four luminaire section, the part may be common for both standard Source Four and Source Four HID luminaire types.



Source Four HID PAR EA & HID PARNeI

HID PAR & PARNeI Top Level Assemblies

NOTE: The parts listed below are specific to the HID PAR EA and HID PARNeI.



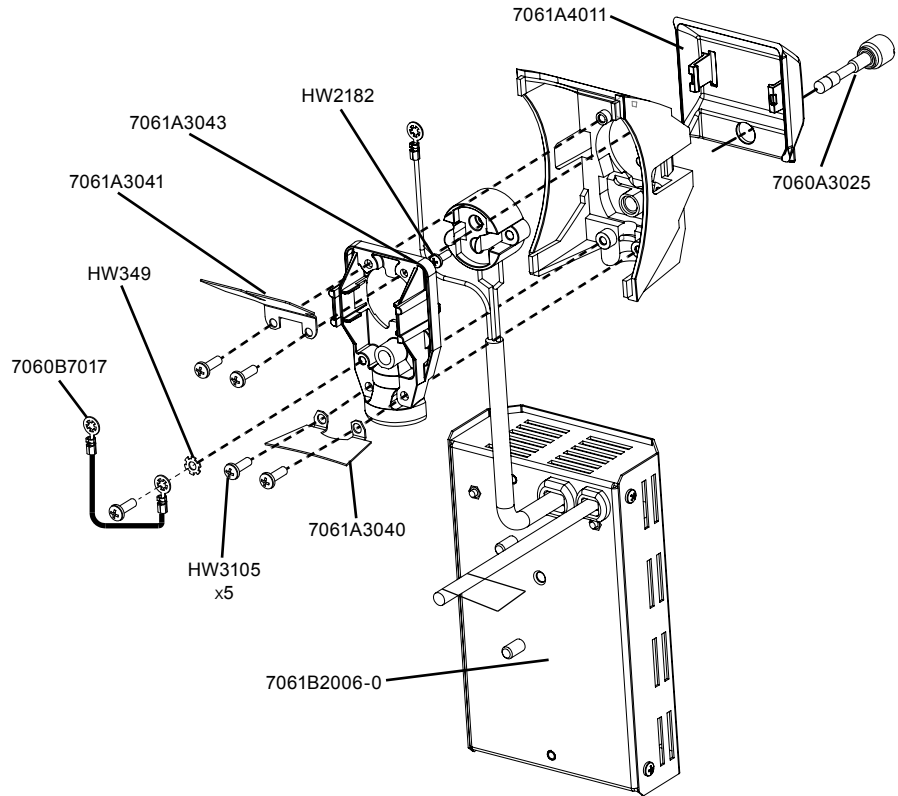
NOTE: Due to a change in configuration, the ballast shipped may differ slightly from the illustration above.

Part #	Description	List Price
7061A2203-0X	240V AC, 150W HID PAR EA & PARNeI Burner Assembly, CE no connector, Black	€
7061A2203-1X	240V AC, 150W HID PAR EA & PARNeI Burner Assembly, CE no connector, White	€
7061A2245-0X	240V AC, 70W HID PAR EA & PARNeI Burner Assembly, CE no connector, Black	€
7061A2245-1X	240V, 70W HID PAR EA & PARNeI Burner Assembly, CE no connector, White	€

NOTE: The above burner assemblies include the ballast and a complete back cap.

7061A3080	HID 150W PAR yoke bracket, Black	€
7061A3080-1	HID 150W PAR yoke bracket, White	€
HW534	Nut, 1/4-20 Hex BZ	€
HW9373	Spacer 252 ID x .500 OD .375L RND used to fit a new ballast type onto the yoke of a black pre-2007-01 HID 150W luminaire	€

HID PAR EA & HID PARNel Burner Assembly



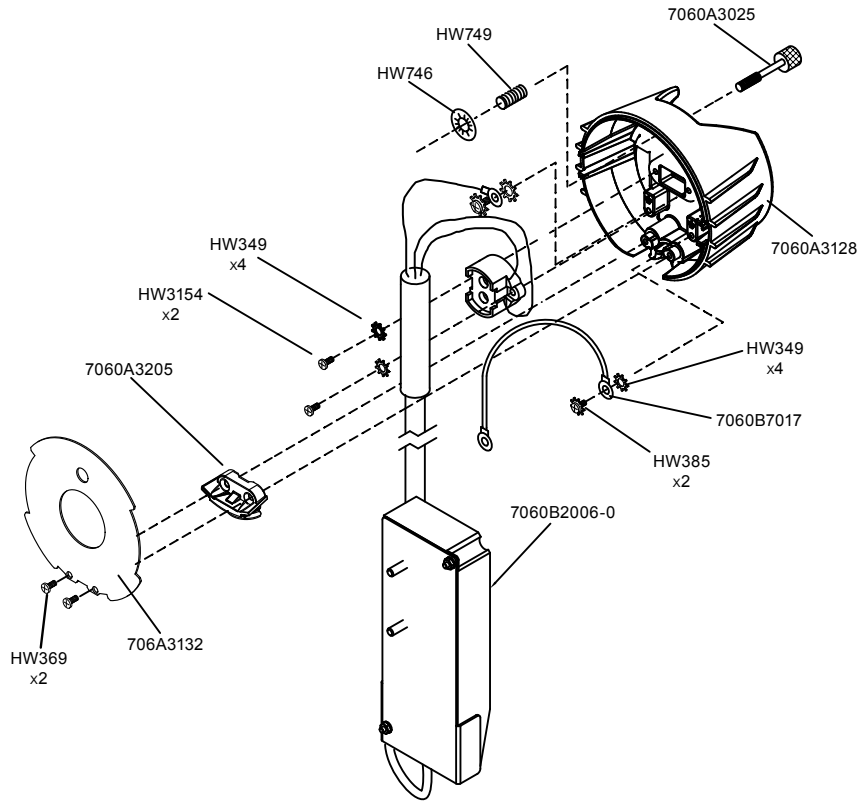
NOTE: Due to a change in configuration, the ballast shipped may differ slightly from the illustration above.

Part #	Description	List Price
7060A3025	Screw, 1/4-20x1.55 knurled head	€
7061A3040	Front light baffle, S4 HID, Black	€
7061A3040-1	Front light baffle, S4 HID, White	€
7061A3041	Rear light baffle, S4 HID, Black	€
7061A3041-1	Rear light baffle, S4 HID, White	€
7061A3043	HID, PAR strain relief, Black	€
7061A3043-1	HID, PAR strain relief, White	€
7061A3045	HID, PAR burner casting, Black	€
7061A3045-1	HID, PAR burner casting, White	€
7061A4011	Focus handle, Black	€
7061A4011-1	Focus handle, White	€
7060B7017	Safety wire assembly, bronze	€
HW2182	Screw, 6-32x1/4 PhPH Taptite Zc	€
HW3105	Screw, 8-32x1/2 PhPH Taptite Sems	€
HW3117	Screw, 8-32x3/8 PhPH Taptite Sems	€
HW349	Washer, ext. #8 ZC	€

Source Four HID

Burner Assembly

NOTE: The parts listed below are specific to the HID S4 14-90 degree, HID Zoom 15-30 and 25-50 degree, junior 26-50 degree and junior zoom.



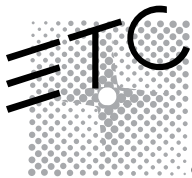
NOTE: Due to a change in configuration, the ballast shipped may differ slightly from the illustration above.

Part #	Description	List Price
7060A2043-0X	240V AC, 150W S4 HID Burner Assembly, CE w/o connector, Black, Tridonic	€
7060A2043-1X	240V AC, 150W S4 HID Burner Assembly, CE w/o connector, White, Hatch	€
70602500-0X	240 AC, 70W S4 HID Burner Assembly, CE w/o connector, Black, Hatch	€
7060A2500-1X	240 AC, 70W S4 HID Burner Assembly, CE w/o connector, White, Hatch	€

NOTE: The above burner assemblies include the ballast and a complete back cap.

7060A3025	Screw, 1/4-20 x 1.55 knurled head	€
7060A3128	S4 HID Housing Socket, Black	€
7060A3128-1	S4 HID Housing Socket, White	€
7060A3132	S4 HID heat shield	€
7060A3164	S4HID Plate Ballast Double Clutch (requirement for 5 degree and zooms only)	€
7060A3205	Clamp, strain relief casting, Black HID CE	€
7060A3205-1	Clamp, strain relief casting, White HID CE	€
7060B7017	Safety wire assembly, bronze	€
7060K1001	Insulated Handle Kit, Black	€
HW3154	Screw, Taptite, 8-32 x 5/8	€
HW349	Washer, ext #8 zc	€
HW385	Screw 8-32 x 3/8" PHHMS SEMS	€
HW5270	Bolt, 1/4-20 .500 MS LK BO (requirement for 5 degree and zooms only)	€
HW534	Nut, 1/4-20 Hex BZ	€
HW746	Screw, retainer flat 12-6-1	€
HW749	Spring ground C0360-026-750	€
HW9373	Spacer, 252 ID x.500 OD 3.75L RND	€

For fitting of new ballast onto yoke of black pre-January 2007 150W HID luminaires



Corporate Headquarters ■ 3031 Pleasant View Rd, PO Box 620979, Middleton WI 53562 0979, USA ■ Tel +1 608 831 4116 ■ Fax +1 608 836 1736
London, UK ■ Unit 26-28, Victoria Industrial Estate, Victoria Road, London W3 6UU, UK ■ Tel +44 (0)20 8896 1000 ■ Fax +44 (0)20 8896 2000
Rome, IT ■ Via Pieve Torina, 48, 00156 Roma, Italy ■ Tel +39 (06) 32 111 683 ■ Fax +44 (0)20 8752 8486
Holzkirchen, DE ■ Ohmstrasse 3, 83607 Holzkirchaen, Germany ■ Tel +49 (80 24) 47 00-0 ■ Fax +49 (80 24) 47 00-3 00
Hong Kong ■ Room 1801, 18/F, Tower I, Phase 1, Enterprise Square, 9 Sheung Yuet Road, Kowloon Bay, Kowloon, Hong Kong ■ Tel +852 2799 1220 ■ Fax +852 2799 9325
Service: (Americas) service@etconnect.com ■ (UK) service@etceurope.com ■ (DE) techserv-hoki@etconnect.com ■ (Asia) service@etcasia.com
Web www.etconnect.com ■ Copyright © 2010 ETC. All Rights Reserved. All product information and specifications subject to change.
© 5000L5202-10.05 ■ Rev. A ■ Released 2010-10