



Sennheiser Documentation App



or online at
www.sennheiser.com/download
 evolution wired_



e 901

Quick Guide

Kurzanleitung
 Guide rapide
 Guida rapida
 Guía de inicio rápido
 Guia rápido
 Beknopte handleiding
 Krótka instrukcja obsługi
 Snabbguide

Kvikstartguide

Pikaohje
 Γρήγορος οδηγός
 Kısa Kılavuz
 Краткая инструкция
 快速指南
 クイックガイド
 퀵 가이드

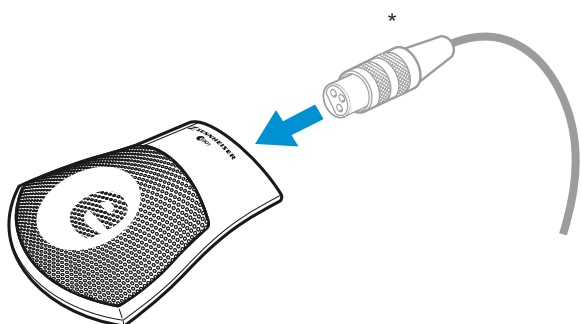
Sennheiser electronic GmbH & Co. KG

Am Labor 1, 30900 Wedemark, Germany
www.sennheiser.com

Publ. 06/19, 581332/A02

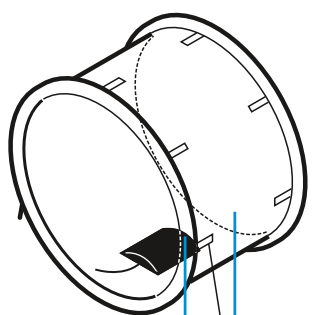
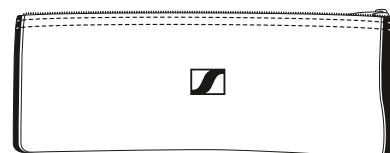
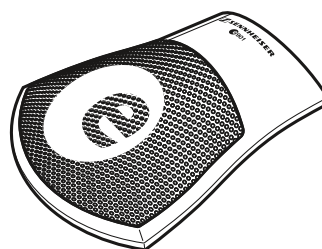
SENNHEISER

Setup



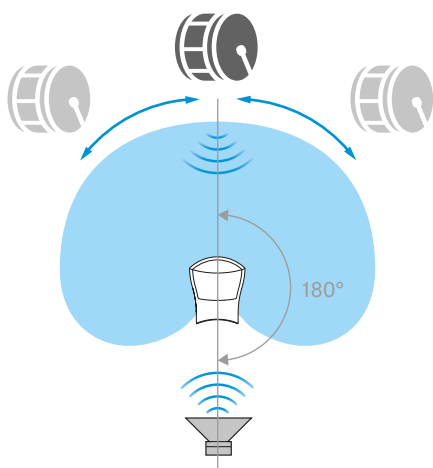
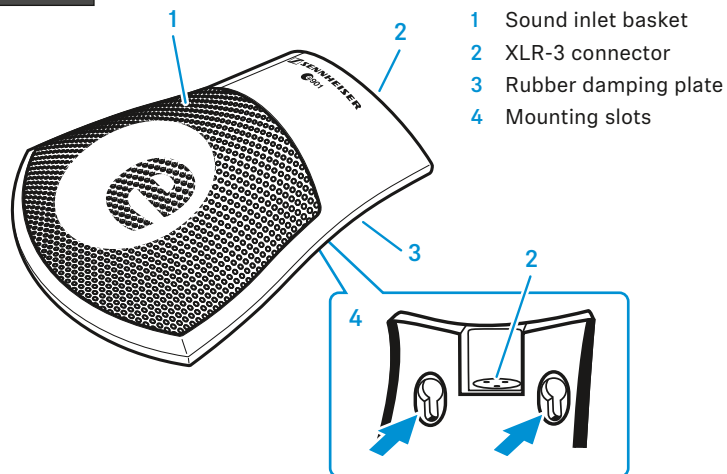
*XLR-3 cable not included

In the box

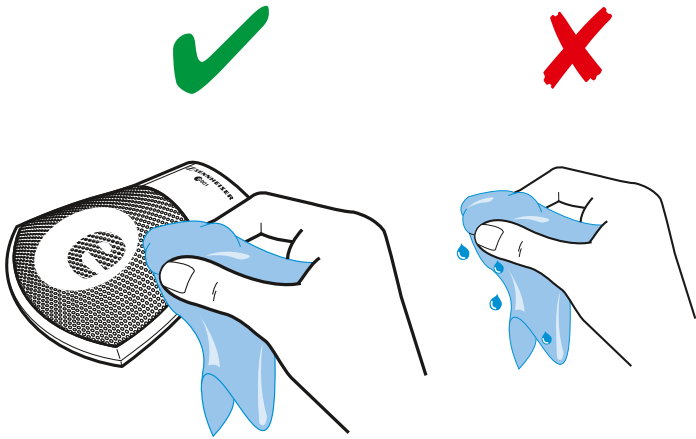


10 – 20 cm
 (3.9 – 7.9")

Overview



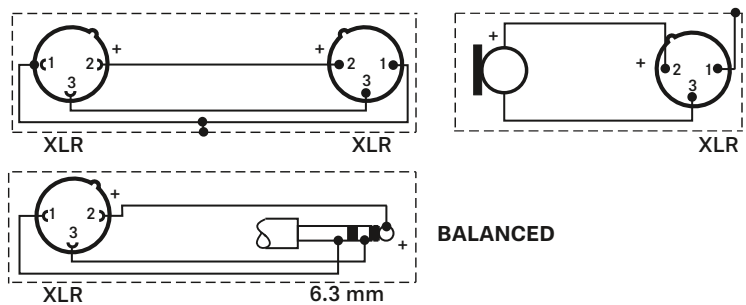
Cleaning



Specifications

Transducer principle	pre-polarized condenser microphone
Frequency response	20 - 20,000 Hz
Pick-up pattern	half-cardioid
Sensitivity (free field, at 1 kHz)	0.5 mV/Pa
Nominal impedance (at 1 kHz)	< 100 Ω
Min. terminating impedance	1 kΩ
Max. sound pressure level (at 1 kHz)	154 dB/SPL
Phantom powering	48 V
Connector	XLR-3
Dimensions	126,5 x 105 x 26,5 mm
Weight	550 g

Connector assignment



Polar pattern and frequency response

