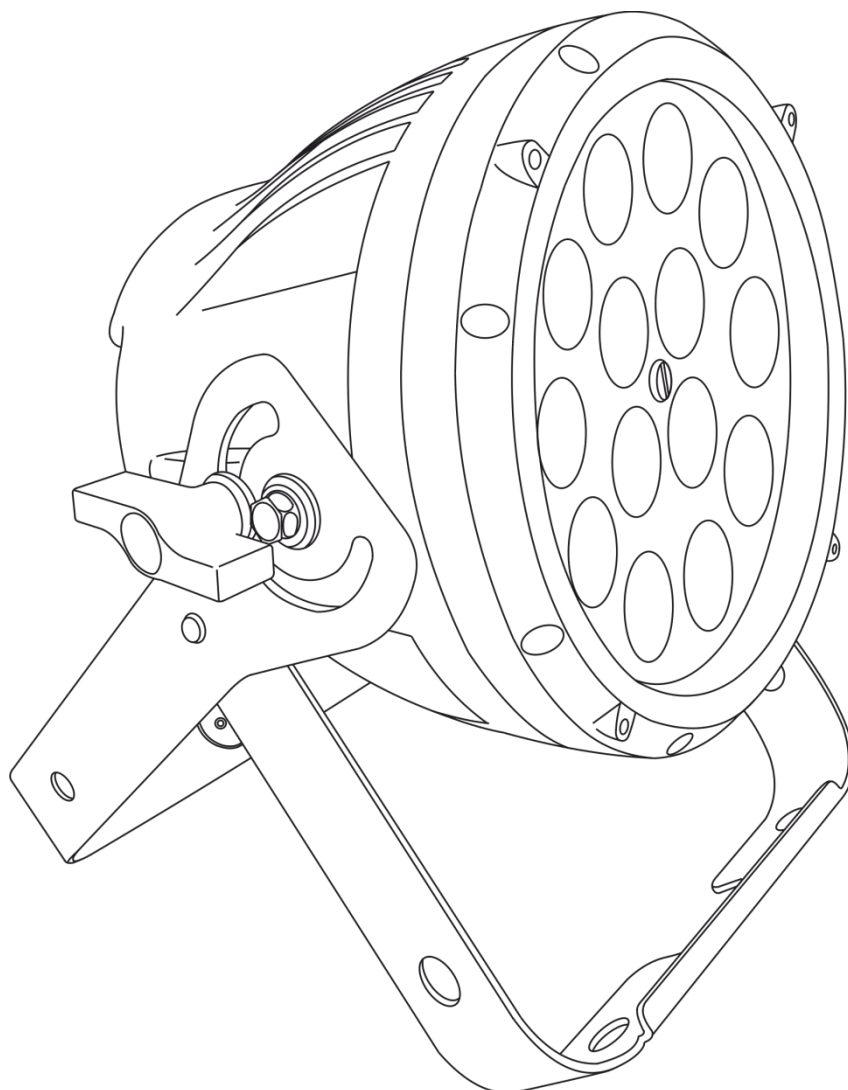




MANUAL



ENGLISH

Spectral M850 Q4 IP V1

Ordercode: 43621

Table of contents

Warning	2
Safety Instructions	2
Operating Determinations	4
Rigging	4
Connection with the mains	5
Return Procedure	6
Claims	6
Description of the device	7
Frontside	7
Backside	8
Installation	8
Set Up and Operation	8
Control Modes	9
One Spectral (Built-in programs, Color Presets and Manual Mode)	9
Multiple Spectrals (Master/Slave control)	9
Multiple Spectrals (DMX Control)	10
Fixture Linking	11
Data Cabling	11
Control Panel	12
Control Mode	12
DMX Addressing	12
Menu Overview	13
Main Menu Options	14
1. Power Saving Mode/Full Power Mode	14
2. Display lock	15
3. DMX 4-channel mode	15
4. DMX 8-channel mode	15
5. DMX 15-channel mode	15
6. Color presets	15
7. Built-in programs	16
8. Program speed	16
9. Red LED brightness (Manual Mode)	16
10. Green LED brightness (Manual Mode)	16
11. Blue LED brightness (Manual Mode)	16
12. Amber LED brightness (Manual Mode)	16
13. Full Power Mode counter	16
14. Power Saving Mode counter	16
DMX Channels	17
4 channels	17
8 channels	17
15 channels	18
Maintenance	19
Troubleshooting	19
No Light	19
No Response to DMX	20
Product Specifications	21
Dimensions	22

Warning



**For your own safety, please read this user manual carefully
before your initial start-up!**

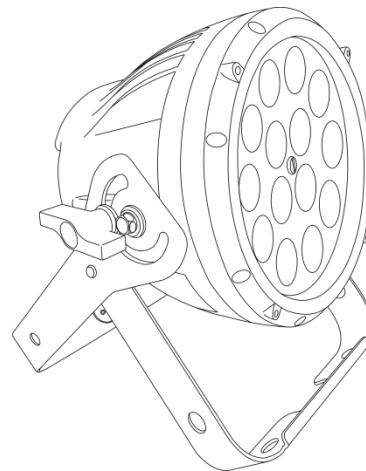


Unpacking Instructions

Immediately upon receiving this product, carefully unpack the carton and check the contents to ensure that all parts are present, and have been received in good condition. Notify the dealer immediately and retain packing material for inspection if any parts appear damaged from shipping or the carton itself shows signs of mishandling. Save the carton and all packing materials. In the event that a fixture must be returned to the factory, it is important that the fixture be returned in the original factory box and packing.

Your shipment includes:

- Showtec Spectral M850 Q4 IP
- Powercon waterproof power cable (1,5 m)
- User manual



LED Expected Lifespan

LEDs gradually decline in brightness over time. HEAT is the dominant factor that leads to the acceleration of this decline. Packaged in clusters, LEDs exhibit higher operating temperatures than in ideal or singular optimum conditions. For this reason, when all color LEDs are used at their fullest intensity, life of the LEDs is significantly reduced. If improving the lifespan is of higher priority, place care in providing for lower operational temperatures. This may include climatic-environmental and the reduction of overall projection intensity.

Safety Instructions

Every person involved with the installation, operation and maintenance of this device has to:

- be qualified
- follow the instructions of this manual



**CAUTION! Be careful with your operations.
With a dangerous voltage you can suffer
a dangerous electric shock when touching the wires!**



Before the initial start-up, please make sure that there is no damage caused by transportation. Should there be any, consult your dealer and do not use the device.

To maintain perfect condition and to ensure a safe operation, it is absolutely necessary for the user to follow the safety instructions and warning notes contained in this manual.

Please consider that damages caused by manual modifications to the device are not subject to warranty.

This device contains no user-serviceable parts. Refer servicing to qualified technicians only.

IMPORTANT:

The manufacturer will not accept liability for any resulting damages caused by the non-observance of this manual or any unauthorized modification to the device.

- Never let the power cord come into contact with other cables! Handle the power cord and all connections with the mains with particular caution!
- Never remove warning or informative labels from the unit.
- Never use anything to cover the ground contact.
- Never lift the fixture holding it by the projector-head, as the mechanics may be damaged. Always hold the fixture by the transport handles.
- Never place any material over the lens.
- Never look directly into the light source.
- Never leave any cables lying around.
- Do not connect this device to a dimmerpack.
- Do not switch the device on and off in short intervals, as this will reduce the device's life.
- Do not touch the device's housing bare-handed during its operation (housing becomes very hot). Allow the fixture to cool for at least 5 minutes before handling.
- Do not shake the device. Avoid brute force when installing or operating the device.
- Only operate the fixture after having checked if the housing is firmly closed and all screws are tightly fastened.
- Only operate the device after having familiarized with its functions.
- Avoid flames and do not put close to flammable liquids or gases.
- Always keep the case closed while operating.
- Always allow a free air space of at least 50 cm around the unit for ventilation.
- Always disconnect power from the mains, when device is not used or before cleaning! Only handle the power cord holding it by the plug. Never pull out the plug by tugging the power cord.
- Make sure that the device is not exposed to extreme heat, moisture or dust.
- Make sure that the available voltage is not higher than stated on the rear panel.
- Make sure that the power cord is never crimped or damaged. Check the device and the power cord from time to time.
- If the lens is obviously damaged, it has to be replaced.
- If device was dropped or struck, disconnect mains power supply immediately. Have a qualified engineer inspect for safety before operating.
- If the device has been exposed to drastic temperature fluctuation (e.g. after transportation), do not switch it on immediately. The arising condensation water might damage your device. Leave the device switched off until it has reached room temperature.
- If your Showtec device fails to work properly, discontinue the use immediately. Pack the unit securely (preferably in the original packing material), and return it to your Showtec dealer for service.
- For adult use only. The fixture must be installed beyond the reach of children. Never leave the unit running unattended.
- Never attempt to bypass the thermostatic switch or fuses.
- The user is responsible for correct positioning and operating of the Spectral. The manufacturer will not accept liability for damages caused by the misuse or incorrect installation of this device.
- This device falls under protection class I. Therefore it is essential to connect the yellow/green conductor to earth.
- During the initial start-up some smoke or smell may arise. This is a normal process and does not necessarily mean that the device is defective.
- Repairs, servicing and electric connection must be carried out by a qualified technician.
- **WARRANTY:** Till one year after date of purchase.



CAUTION! EYEDAMAGES !!!
NEVER LOOK DIRECTLY INTO THE LIGHTSOURCE !!!



Operating Determinations

- This device is not designed for permanent operation. Consistent operation breaks will ensure that the device will serve you for a long time without defects.
- The minimum distance between light output and the illuminated surface must be bigger than 1 meter.
- The maximum ambient temperature $t_a = 40^\circ\text{C}$ must never be exceeded.
- The relative humidity must not exceed 50 % with an ambient temperature of 40°C .
- If this device is operated in any other way than the one described in this manual, the product may suffer damages and the warranty becomes void.
- Any other operation may lead to dangers like short-circuit, burns, electric shock, crash, etc.

You endanger your own safety and the safety of others!

Rigging

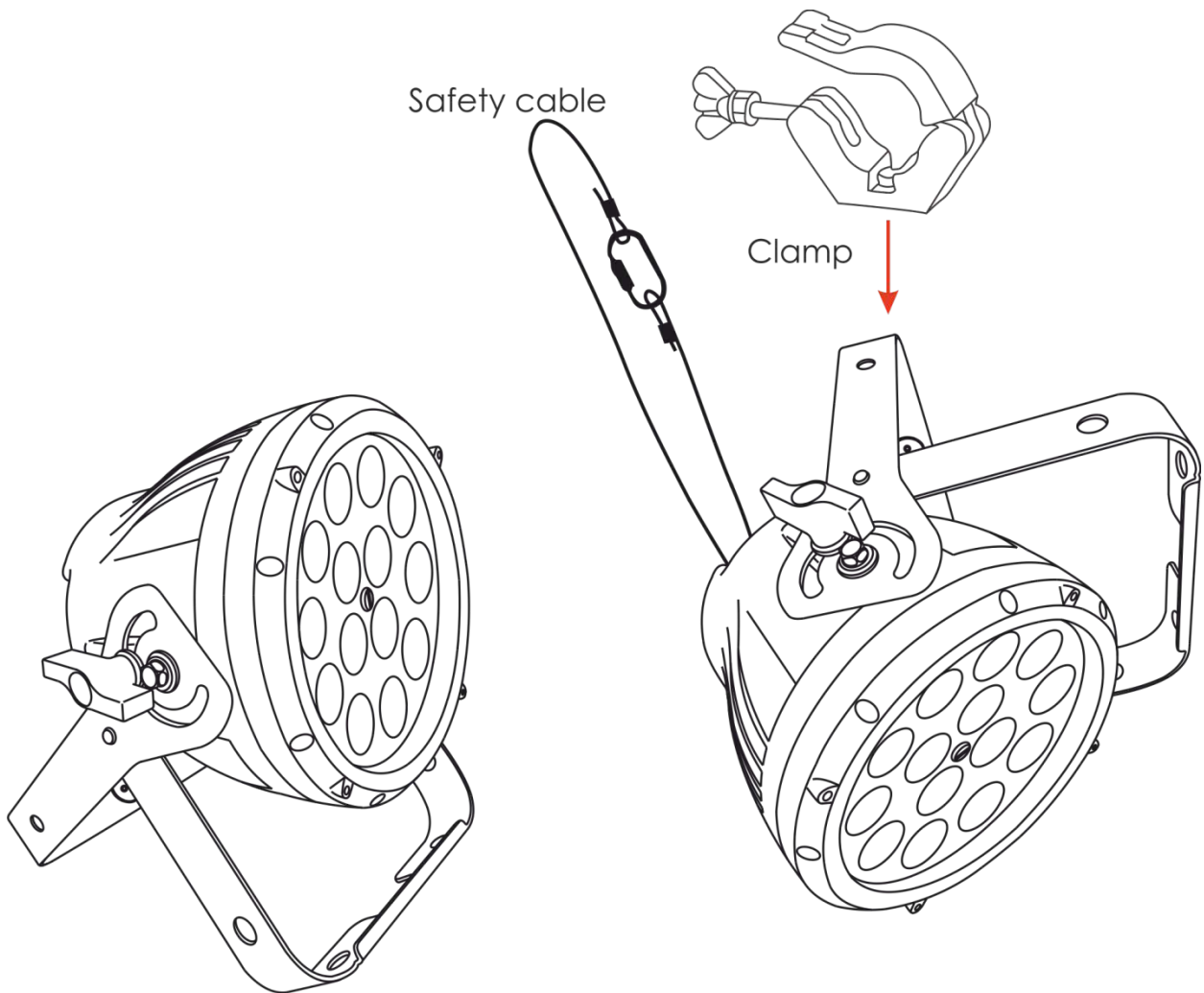
Please follow the European and national guidelines concerning rigging, trussing and all other safety issues.

Do not attempt the installation yourself !

Always let the installation be carried out by an authorized dealer !

Procedure:

- If the projector is lowered from the ceiling or high joists, professional trussing systems have to be used.
- Use a clamp to mount the projector, with the mounting bracket, to the trussing system.
- The projector must never be fixed swinging freely in the room.
- The installation must always be secured with a safety attachment, e.g. an appropriate safety net or safety cable.
- When rigging, derigging or servicing the projector, always make sure, that the area below the installation site is secured and that there are not any unauthorized people around.



The Spectral can be placed on a flat stage floor or mounted to any kind of truss with a clamp.

Improper installation can cause serious injuries and/or damage of property!

Connection with the mains

Connect the device to the mains with the power-plug.

Always check if the right color cable is connected to the right place.

International	EU Cable	UK Cable	US Cable	Pin
L	BROWN	RED	YELLOW/COPPER	PHASE
N	BLUE	BLACK	SILVER	NEUTRAL
⊕	YELLOW/GREEN	GREEN	GREEN	PROTECTIVE GROUND

Make sure that the device is always properly connected to the earth!

Improper installation can cause serious injuries and/or damage of property!



Return Procedure

Returned merchandise must be sent prepaid and in the original packing, call tags will not be issued. Package must be clearly labeled with a Return Authorization Number (RMA number). Products returned without an RMA number will be refused. Highlite will not accept the returned goods or any responsibility. Call Highlite 0031-455667723 or mail aftersales@highlite.nl and request an RMA prior to shipping the fixture. Be prepared to provide the model number, serial number and a brief description of the cause for the return. Be sure to properly pack fixture, any shipping damage resulting from inadequate packaging is the customer's responsibility. Highlite reserves the right to use its own discretion to repair or replace product(s). As a suggestion, proper UPS packing or double-boxing is always a safe method to use.

Note: If you are given an RMA number, please include the following information on a piece of paper inside the box:

- 01) Your name
- 02) Your address
- 03) Your phone number
- 04) A brief description of the symptoms

Claims

The client has the obligation to check the delivered goods immediately upon delivery for any shortcomings and/or visible defects, or perform this check after our announcement that the goods are at their disposal. Damage incurred in shipping is the responsibility of the shipper; therefore the damage must be reported to the carrier upon receipt of merchandise.

It is the customer's responsibility to report and submit claims with the shipper in the event that a fixture is damaged due to shipping. Transportation damage has to be reported to us within one day after receipt of the delivery.

Any return shipment has to be made post-paid at all times. Return shipments must be accompanied with a letter defining the reason for return shipment. Non-prepaid return shipments will be refused, unless agreed otherwise in writing.

Complaints against us must be prepared in writing or sent by fax within 10 working days after receipt of the invoice. After this period complaints will not be handled anymore.

Complaints will only then be considered if the client has so far complied with all parts of the agreement, regardless of the agreement from which the obligation is resulting.

Description of the device

Features

The Spectral M850 Q4 IP is a waterproof light effect with high output and great effects.

- Input voltage: 100-240V, 60/50Hz
- Power consumption: 100W
- DMX channels: 4, 8 or 15 channels
- OLED display for easy setup
- Light source: 14 x 8W 4-in-1 RGBA LEDs
- Light output: 18730 lumen @ 1 m
- Refresh rate: 400Hz
- Control modes: Built-in programs, Color presets, Manual, Master/Slave, DMX-512
- Control protocol: DMX-512
- Dimmer: 0-100%
- Strobe: 0-20Hz
- Beam Angle: 10°
- Housing: Metal & Flame retardant plastic
- Connections: Powercon to Schuko & 3-pin XLR IN & OUT
- Cooling: convection
- IP rating: IP65
- Dimensions: 195 x 280 x 300 mm (LxWxH)
- Weight: 4,7 kg

Frontside

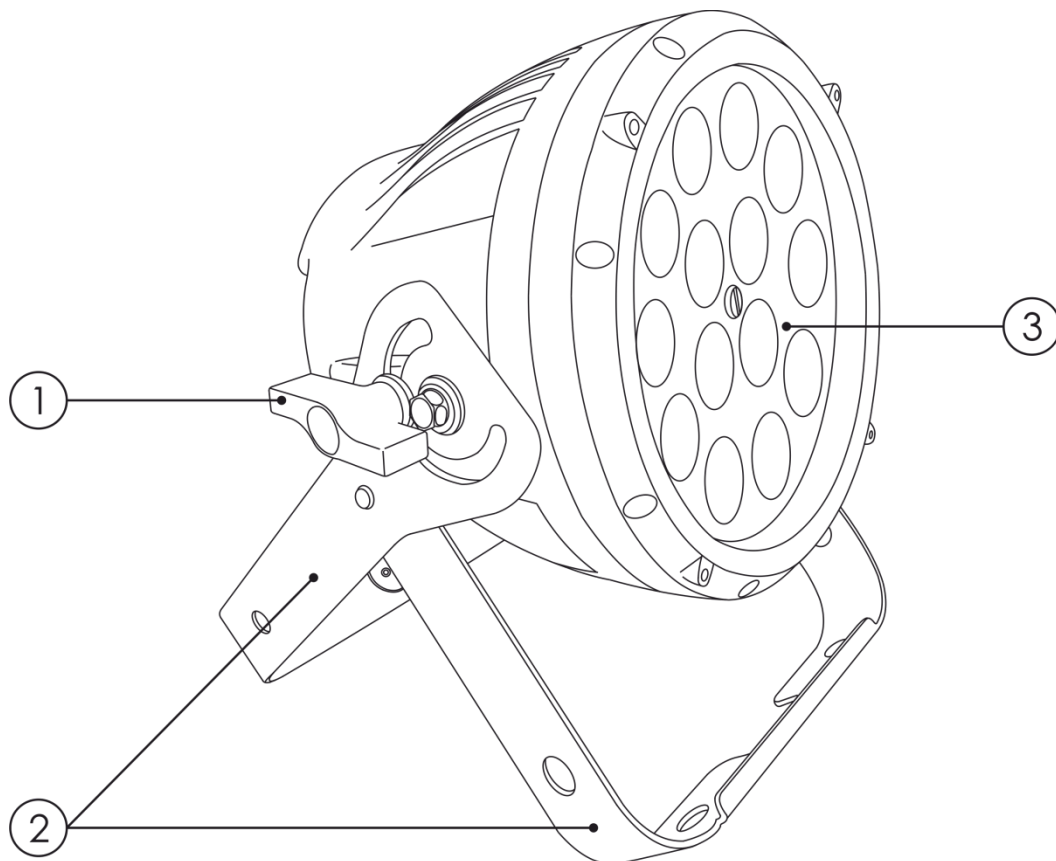


Fig. 01

- 01) Adjustment screw
02) Mounting brackets with inclination screw
03) 14 x 8W 4-in-1 RGBA LED

Backside

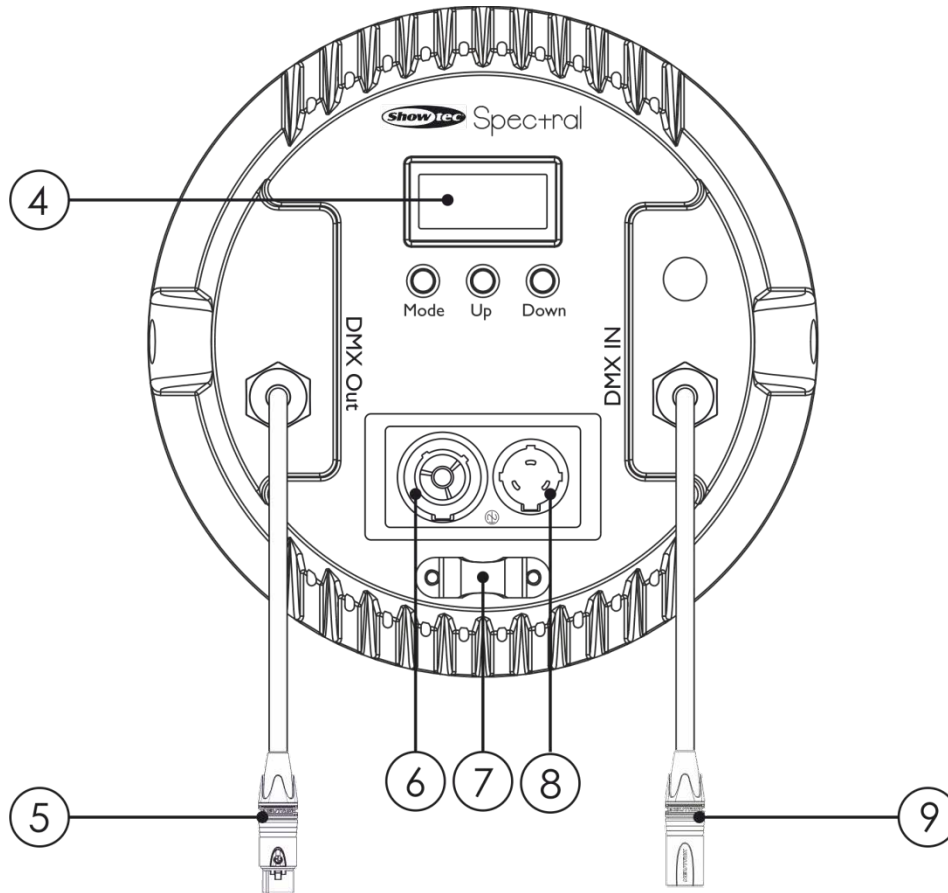


Fig. 02

- 04) OLED display + menu buttons
- 05) 3-pin DMX signal connector OUT
- 06) Powercon power connector 100-240V OUT
- 07) Safety eye
- 08) Powercon power connector 100-240V IN
- 09) 3-pin DMX signal connector IN

Installation

Remove all packing materials from the Spectral M850 Q4 IP. Check if all foam and plastic padding is removed. Connect all cables.

Do not supply power before the whole system is set up and connected properly.

Always disconnect from electric mains power supply before cleaning or servicing.

Damages caused by non-observance are not subject to warranty.

Set Up and Operation

Follow the directions below, as they pertain to your preferred operation mode.

Before plugging the unit in, always make sure that the power supply matches the product specification voltage. Do not attempt to operate a 120V specification product on 230V power, or vice versa.

Connect the device to the main power supply.

Control Modes

There are 5 modes:

- Built-in programs
- Color Presets
- Manual Mode
- Master/Slave
- DMX-512 (4CH, 8CH, 15CH)

One Spectral (Built-in programs, Color Presets and Manual Mode)

- 01) Fasten the effect light to a firm trussing. Leave at least 0,5 meter on all sides for air circulation.
- 02) Plug the end of the electric mains power cord into a proper electric power supply socket.
- 03) When the Spectral is not connected with a DMX cable, it functions as a stand-alone device.
Please see pages 15 and 16 for more information about the Built-in programs, Color Presets and Manual Mode.

Multiple Spectrals (Master/Slave control)

- 01) Fasten the effect light onto firm trussing. Leave at least 0,5 meter on all sides for air circulation.
- 02) Use a 3-pin XLR cable to connect the Spectral.

The pins:



- 01) Earth
- 02) Signal -
- 03) Signal +

- 03) Link the units as shown in fig. 03. Connect the first unit's DMX "out" socket with the second unit's "in" socket, using a DMX-signal cable. Repeat this process to link the second, third, and fourth units. You can use the same functions on the master device as described on pages 15-16 (Built-in programs, Color Presets and Manual Mode). This means that you can set your desired operation mode on the master device and all slave devices will react the same as the master device.

Multiple Spectrals (Master/Slave control)

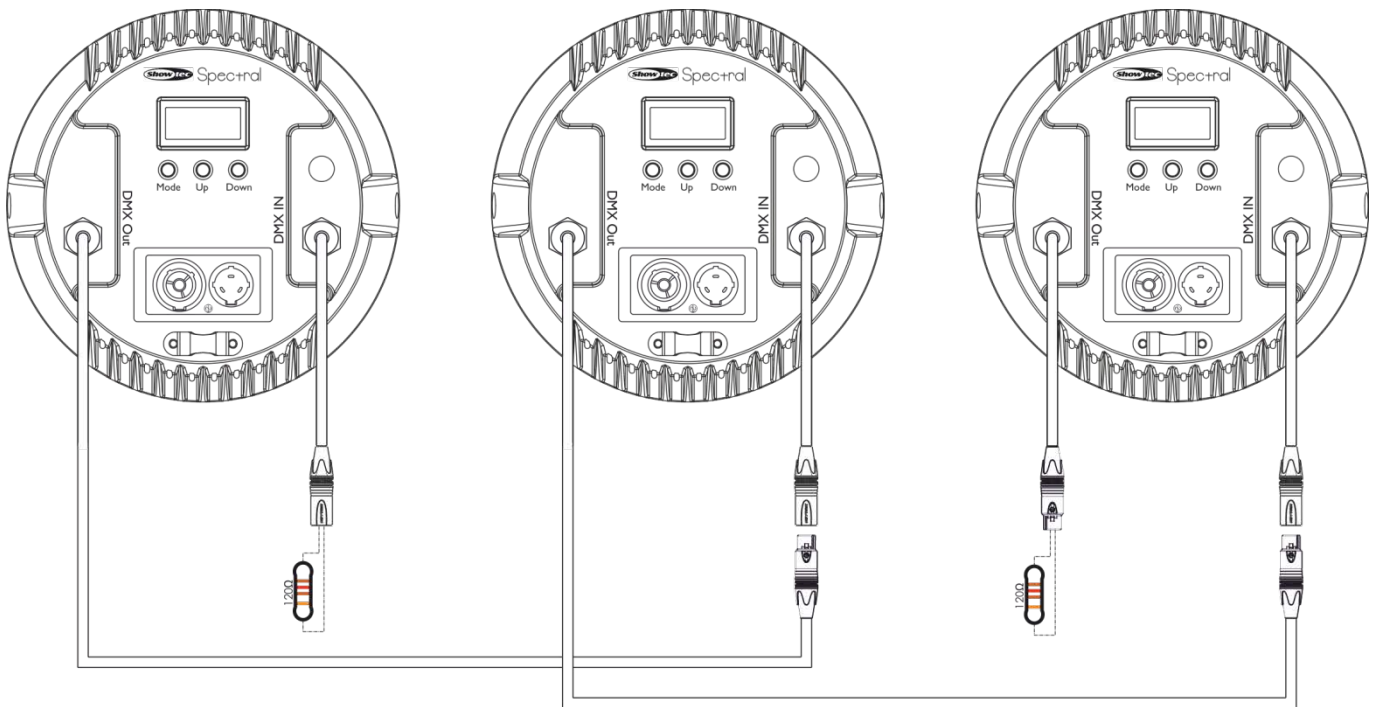
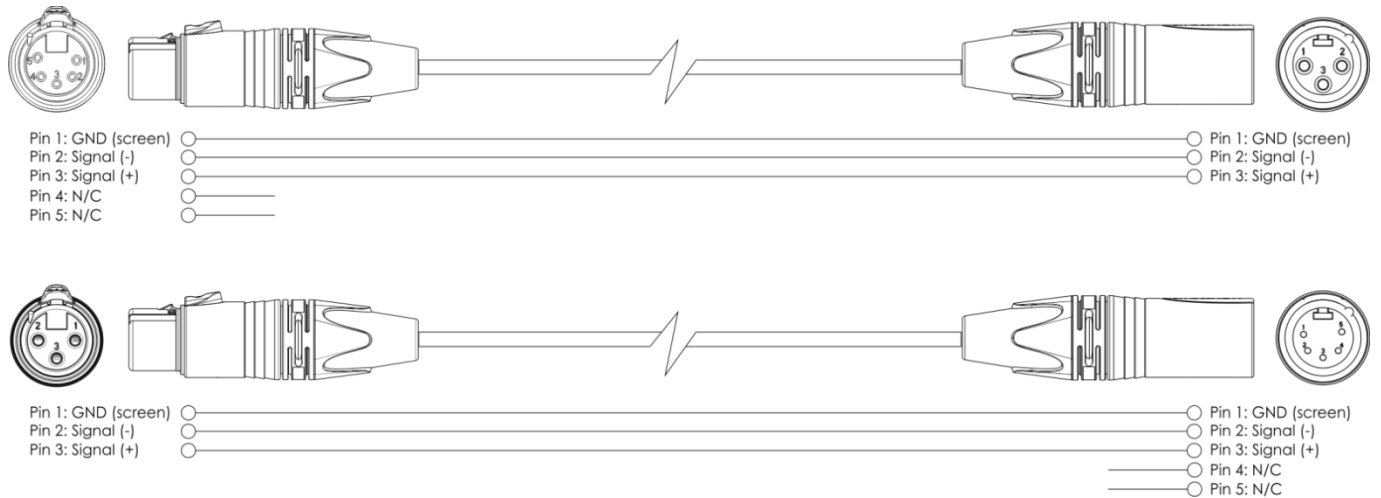


Fig. 03

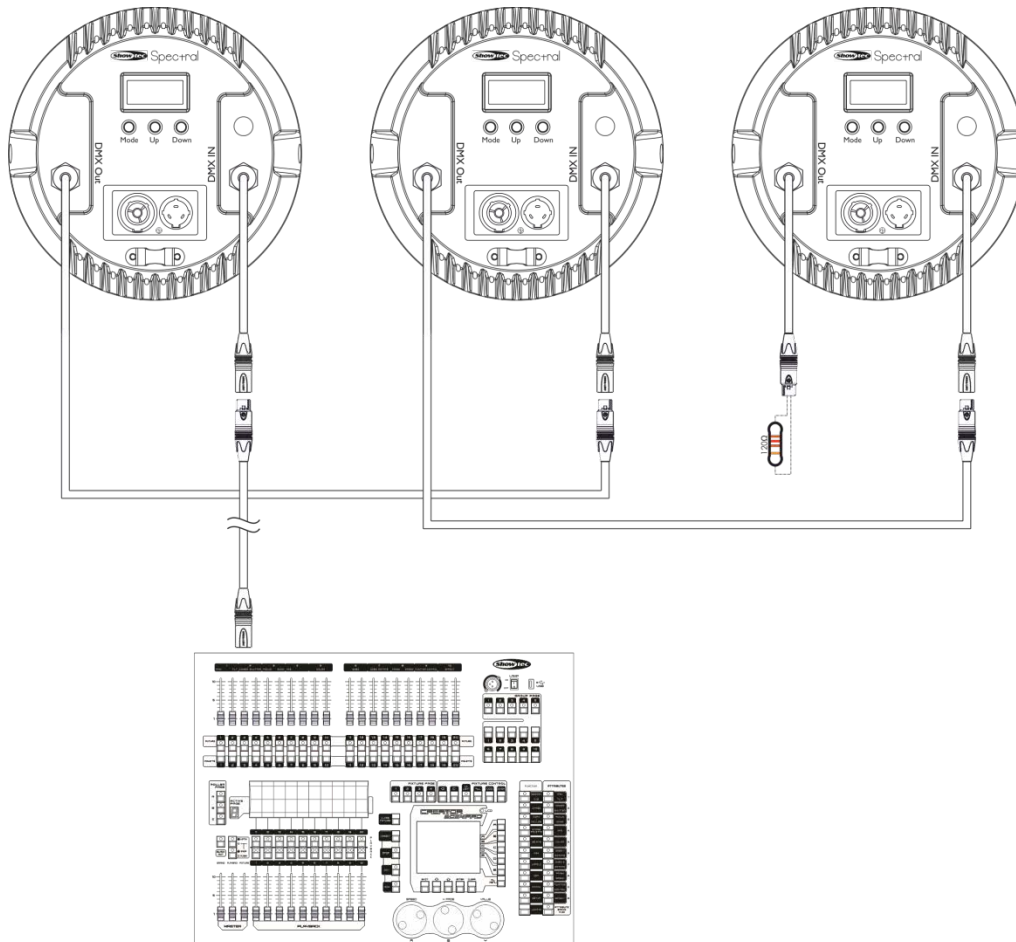
Multiple Spectrals (DMX Control)

- 01) Fasten the effect light to a firm trussing. Leave at least 0,5 meter on all sides for air circulation.
- 02) Always use a safety cable (ordercode 70140 / 70141).
- 03) Use a 3-pin XLR cable to connect the Spectrals and other devices.



- 04) Link the units as shown in fig. 04. Connect the first unit's DMX "out" socket with the second unit's "in" socket, using a DMX-signal cable. Repeat this process to link the second, third, and fourth units.
- 05) Supply electric power: Plug electric mains power cords into each unit's IEC socket, then plug the other end of the mains power cord into proper electric power supply sockets, starting with the first unit. Do not supply power before the whole system is set up and connected properly.

Multiple Spectrals DMX Set Up



Note : Link all cables before connecting electric power

Fig. 04

Fixture Linking

You will need a serial data link to run light shows of one or more fixtures using a DMX-512 controller or to run synchronized shows of two or more fixtures set to a master/slave operating mode. The combined number of channels required by all the fixtures on a serial data link determines the number of fixtures the data link can support.

Important: Fixtures on a serial data link must be daisy-chained in a single line. To comply with the EIA-485 standard, no more than 30 devices should be connected on one data link. Connecting more than 30 fixtures on one serial data link without the use of a DMX optically isolated splitter may result in deterioration of the digital DMX signal.



Maximum recommended DMX data link distance: 100 meters
Maximum recommended number of fixtures on a DMX data link: 30 fixtures

Data Cabling

To link fixtures together, you must obtain data cables. You can purchase DAP Audio certified DMX cables directly from a dealer/distributor or construct your own cable. If you choose to create your own cable, please use data-grade cables that can carry a high quality signal and are less prone to electromagnetic interference.

DAP Audio DMX Data Cables

- DAP Audio Basic microphone cable for allround use. bal. XLR/M 3-pin > XLR/F 3-pin. **Ordercode** FL01150 (1,5 m), FL013 (3 m), FL016 (6 m), FL0110 (10 m), FL0115 (15 m), FL0120 (20 m).
- DAP Audio X-type data cable XLR/M 3-pin > XLR/F 3-pin. **Ordercode** FLX0175 (0,75 m), FLX01150 (1,5 m), FLX013 (3 m), FLX016 (6 m), FLX0110 (10 m).
- DAP Audio cable for the demanding user with exceptional audio-qualities and connector made by Neutrik®. **Ordercode** FL71150 (1,5 m), FL713 (3 m), FL716 (6 m), FL7110 (10 m).
- DAP Audio cable for the demanding user with exceptional audio-qualities and connector made by Neutrik®. **Ordercode** FL7275 (0,75 m), FL72150 (1,5 m), FL723 (3 m), FL726 (6 m), FL7210 (10 m).
- DAP Audio 110 Ohm cable with digital signal transmission. **Ordercode** FL0975 (0,75 m), FL09150 (1,5 m), FL093 (3 m), FL096 (6 m), FL0910 (10 m), FL0915 (15 m), FL0920 (20 m).

The Spectral M850 Q4 IP can be operated with a controller in **control mode** or without the controller in **stand-alone mode**.

Control Panel

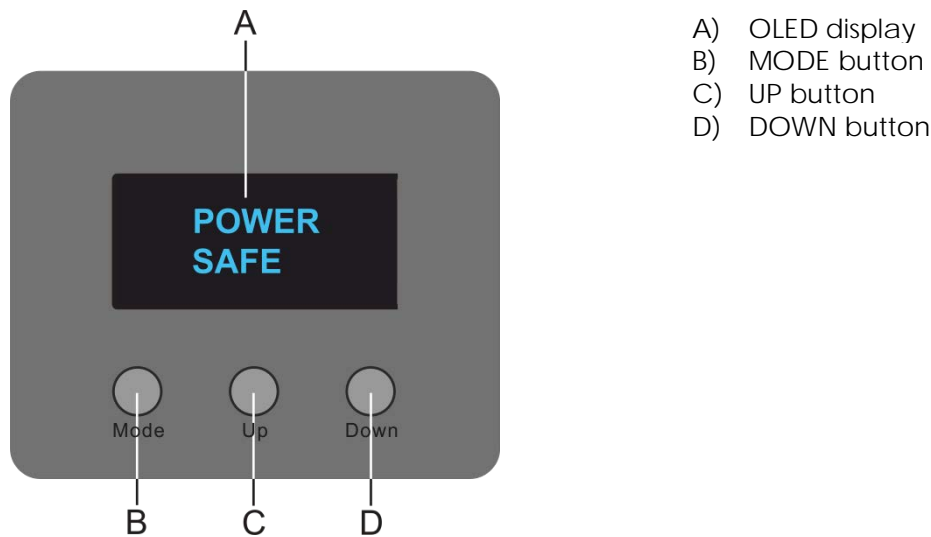


Fig. 05

Control Mode

The fixtures are individually addressed on a data-link and connected to the controller. The fixtures respond to the DMX signal from the controller. (When you select the DMX address and save it, the controller will display the saved DMX address, next time.)

DMX Addressing

The control panel on the front side of the base allows you to assign DMX fixture addresses, which is the first channel with which the Spectral will respond to the controller.

Please note, when you use the controller, the unit has **15** channels.

When using multiple Spectrals, make sure you set the DMX addresses right.

Therefore, the DMX address of the first Spectral should be **1(001)**; the DMX address of the second Spectral should be **1+15=16 (016)**; the DMX address of the third Spectral should be **16+15=31 (031)**, etc.

Please, be sure that you do not have any overlapping channels in order to control each Spectral correctly. If two or more Spectrals are addressed similarly, they will work similarly.

Controlling:

After having addressed all Spectral fixtures, you may now start operating these via your lighting controller.

Note: After switching on, the Spectral will automatically detect whether DMX 512 data is received or not. If there is no data received at the DMX-input, the "LED" on the control panel will not flash.

If not, the problem may be:

- The XLR cable from the controller is not connected with the input of the Spectral M850 Q4 IP.
- The controller is switched off or defective, the cable or connector is defective, or the signal wires are swapped in the input connector.

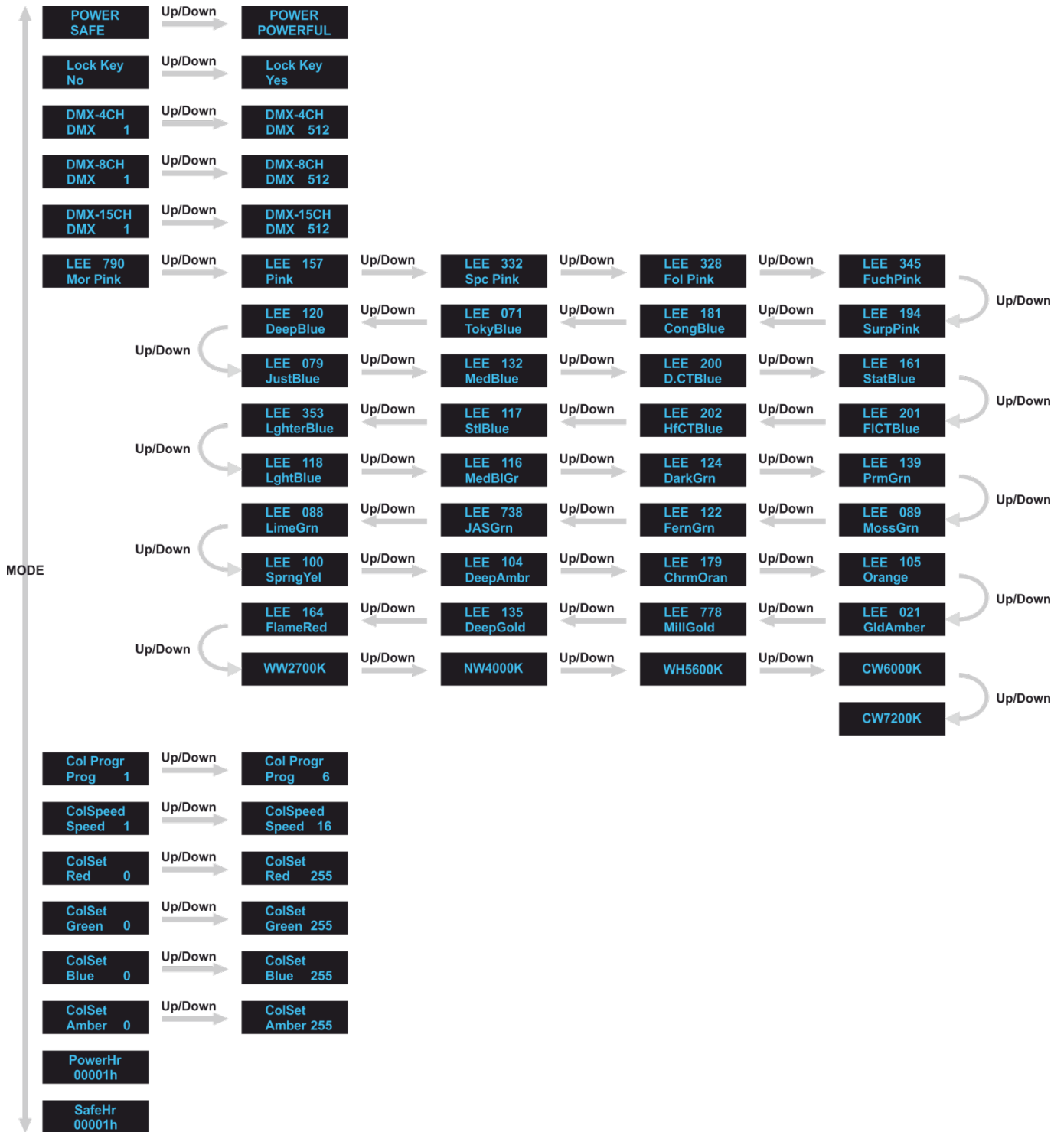
Note: It is necessary to insert an XLR termination plug (with 120 Ohm) in the last fixture in order to ensure proper transmission on the DMX data link.

Display Off after 10 seconds

When no button is pressed for 10 seconds, the display will turn off.

To light up the display, you have to press the MODE, UP or DOWN button and hold it down for 3 seconds. Once you have pressed the button, the display will light up.

Menu Overview



Main Menu Options

POWER SAFE	Up/Down	POWER POWERFUL	Power Saving Mode/Full Power Mode
Lock Key No	Up/Down	Lock Key Yes	Display lock
DMX-4CH DMX 1	Up/Down	DMX-4CH DMX 512	DMX 4-channel mode
DMX-8CH DMX 1	Up/Down	DMX-8CH DMX 512	DMX 8-channel mode
DMX-15CH DMX 1	Up/Down	DMX-15CH DMX 512	DMX 15-channel mode
LEE 790 Mor Pink	Up/Down	CW7200K	Color presets
Col Progr Prog 1	Up/Down	Col Progr Prog 6	Built-in programs
ColSpeed Speed 1	Up/Down	ColSpeed Speed 16	Program speed
ColSet Red 0	Up/Down	ColSet Red 255	Red LED brightness (Manual Mode)
ColSet Green 0	Up/Down	ColSet Green 255	Green LED brightness (Manual Mode)
ColSet Blue 0	Up/Down	ColSet Blue 255	Blue LED brightness (Manual Mode)
ColSet Amber 0	Up/Down	ColSet Amber 255	Amber LED brightness (Manual Mode)
PowerHr 00001h			Full Power Mode counter
SafeHr 00001h			Power Saving Mode counter

1. Power Saving Mode/Full Power Mode

With this menu, you can set the desired energy mode.

- 01) Press the **MODE** button until the display shows **POWER SAFE** or **POWER POWERFUL**.
- 02) When the display shows **POWER SAFE**, the device is operating in Power Saving Mode. Its output is limited in response to the ambient temperature, in order to ensure long and flawless operation, as well as to extend the lifespan of the LEDs.
- 03) When the display shows **POWER POWERFUL**, the device is operating in Full Power Mode and its output is not limited.
- 04) In order to toggle between the 2 modes, press and hold down the **UP/DOWN** buttons for 3 seconds.



It is highly advised to operate the device in Power Saving Mode, in order to extend its lifespan.



2. Display lock

With this menu, you can activate/deactivate a display lock.



- 01) Press the **MODE** button until the display shows
- 02) Press the **UP/DOWN** buttons to activate/deactivate a display lock.
- 03) If you choose “Yes” and the display turns OFF after 10 seconds, you will have to press and hold down one of the menu buttons (**MODE, UP/DOWN**) for 3 seconds. The display will turn ON.
- 04) If you choose “No”, the display will remain continuously ON.

3. DMX 4-channel mode

With this menu, you can set the DMX address in 4-channel mode.



- 01) Press the **MODE** button until the display shows
- 02) Press the **UP/DOWN** buttons to set the desired DMX address. The adjustment range is between 1-512.

4. DMX 8-channel mode

With this menu, you can set the DMX address in 8-channel mode.



- 01) Press the **MODE** button until the display shows
- 02) Press the **UP/DOWN** buttons to set the desired DMX address. The adjustment range is between 1-512.

5. DMX 15-channel mode

With this menu, you can set the DMX address in 15-channel mode.



- 01) Press the **MODE** button until the display shows
- 02) Press the **UP/DOWN** buttons to set the desired DMX address. The adjustment range is between 1-512.

6. Color presets

With this menu, you can set the desired color preset.


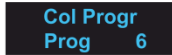
- 01) Press the **MODE** button until the display shows one of the following 38 color presets:



- 02) Press the **UP/DOWN** buttons to toggle between the presets.

7. Built-in programs

With this menu, you can set the built-in programs.

- 01) Press the **MODE** button until the display shows  **Up/Down** .
- 02) Press the **UP/DOWN** buttons to toggle between the 6 built-in programs.

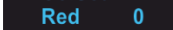
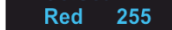
8. Program speed

With this menu, you can set the built-in program speed.

- 01) Press the **MODE** button until the display shows  **Up/Down** .
- 02) Press the **UP/DOWN** buttons to increase/decrease the program speed. The adjustment range is between 1-16, from slow to fast.

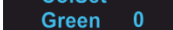
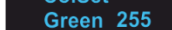
9. Red LED brightness (Manual Mode)

With this menu, you can set the Red LED brightness.

- 01) Press the **MODE** button until the display shows  **Up/Down** .
- 02) Press the **UP/DOWN** buttons to increase/decrease the Red LED brightness. The adjustment range is between 0-255, from dark to brightest.
- 03) You can combine Red, Green, Blue and Amber to create an infinite range of colors (0-255).

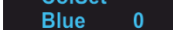
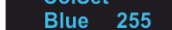
10. Green LED brightness (Manual Mode)

With this menu, you can set the Green LED brightness.

- 01) Press the **MODE** button until the display shows  **Up/Down** .
- 02) Press the **UP/DOWN** buttons to increase/decrease the Green LED brightness. The adjustment range is between 0-255, from dark to brightest.
- 03) You can combine Red, Green, Blue and Amber to create an infinite range of colors (0-255).

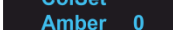

11. Blue LED brightness (Manual Mode)

With this menu, you can set the Blue LED brightness.

- 01) Press the **MODE** button until the display shows  **Up/Down** .
- 02) Press the **UP/DOWN** buttons to increase/decrease the Blue LED brightness. The adjustment range is between 0-255, from dark to brightest.
- 03) You can combine Red, Green, Blue and Amber to create an infinite range of colors (0-255).

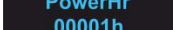
12. Amber LED brightness (Manual Mode)

With this menu, you can set the Amber LED brightness.

- 01) Press the **MODE** button until the display shows  **Up/Down** .
- 02) Press the **UP/DOWN** buttons to increase/decrease the Amber LED brightness. The adjustment range is between 0-255, from dark to brightest.
- 03) You can combine Red, Green, Blue and Amber to create an infinite range of colors (0-255).

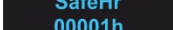
13. Full Power Mode counter

With this menu, you can keep track of the operating time in Full Power Mode.

- 01) Press the **MODE** button until the display shows .
- 02) Now you can keep track of the operating time in Full Power Mode.

14. Power Saving Mode counter

With this menu, you can keep track of the operating time in Power Saving Mode.

- 01) Press the **MODE** button until the display shows .
- 02) Now you can keep track of the operating time in Power Saving Mode.

DMX Channels

4 channels

Channel 1 – Red

0-255 Gradual adjustment Red, from 0-100%

Channel 2 – Green

0-255 Gradual adjustment Green, from 0-100%

Channel 3 – Blue

0-255 Gradual adjustment Blue, from 0-100%

Channel 4 – Amber

0-255 Gradual adjustment Amber, from 0-100%

8 channels

Channel 1 – Dimmer intensity

0-255 Gradual adjustment, from dark to brightest 0-100%

Channel 2 – Red Dimmer must be open

0-255 Gradual adjustment Red, from 0-100%

Channel 3 – Green Dimmer must be open

0-255 Gradual adjustment Green, from 0-100%

Channel 4 – Blue Dimmer must be open

0-255 Gradual adjustment Blue, from 0-100%

Channel 5 – Amber Dimmer must be open

0-255 Gradual adjustment Amber, from 0-100%

Channel 6 – Macros Dimmer must be open

0-13 Not functional

14-255 Macro Mode

Channel 7 – Strobe Dimmer must be open

0-15 Not functional

16-255 Strobe flash frequency, from slow to fast

Channel 8 – Dimming curve Dimmer must be open

0-255 Gradual adjustment dimming curve

15 channels

Channel 1 – Dimmer intensity

0-255 Gradual adjustment, from dark to brightest 0-100%

Channel 2 – Fine dimmer intensity  **Dimmer must be open** 

0-255 Fine adjustment dimmer, from dark to brightest 0-100%

Channel 3 – Red  **Dimmer must be open and CH14 must be set between 0-35** 



0-255 Gradual adjustment Red, from 0-100%

Channel 4 – Fine Red  **Dimmer must be open and CH14 must be set between 0-35** 

0-255 Fine adjustment Red, from 0-100%

Channel 5 – Green  **Dimmer must be open and CH14 must be set between 0-35** 

0-255 Gradual adjustment Green, from 0-100%

Channel 6 – Fine Green  **Dimmer must be open and CH14 must be set between 0-35** 

0-255 Fine adjustment Green, from 0-100%

Channel 7 – Blue  **Dimmer must be open and CH14 must be set between 0-35** 



0-255 Gradual adjustment Blue, from 0-100%

Channel 8 – Fine Blue  **Dimmer must be open and CH14 must be set between 0-35** 

0-255 Fine adjustment Blue, from 0-100%

Channel 9 – Amber  **Dimmer must be open and CH14 must be set between 0-35** 

0-255 Gradual adjustment Amber, from 0-100%

Channel 10 – Fine Amber  **Dimmer must be open and CH14 must be set between 0-35** 

0-255 Fine adjustment Amber, from 0-100%

Channel 11 – Macros  **Dimmer must be open** 

0-13 Not functional

14-255 Macro Mode

Channel 12 – Strobe  **Dimmer must be open and CH14 must be set between 0-35** 

0-15 Not functional



16-255 Strobe flash frequency, from slow to fast

Channel 13 – Dimming curve  **Dimmer must be open** 

0-255 Gradual adjustment dimming curve

Channel 14 – Control modes  Dimmer must be open 

0-35	Manual Mode (Static Color Mode)
36-71	Program 1 – fade in
72-107	Program 2 – fade out
108-143	Program 3 – fade in/out
144-179	Program 4 – color flow
180-215	Program 5 – 3-color switch
216-255	Program 6 – 7-color switch

Channel 15 – Program speed  Dimmer must be open and CH14 must be set between 36-255 

0-255	Program speed adjustment, from slow to fast
-------	---

Maintenance

The operator has to make sure that safety-related and machine-technical installations are to be inspected by an expert after every year in the course of an acceptance test.

The operator has to make sure that safety-related and machine-technical installations are to be inspected by a skilled person once a year.

The following points have to be considered during the inspection:

- 01) All screws used for installing the device or parts of the device have to be tightly connected and must not be corroded.
- 02) There may not be any deformations on housings, fixations and installation spots.
- 03) Mechanically moving parts like axles, eyes and others may not show any traces of wearing.
- 04) The electric power supply cables must not show any damages or material fatigue.

The Spectral M850 Q4 IP requires almost no maintenance. However, you should keep the unit clean. Otherwise, the fixture's light-output will be significantly reduced. Disconnect the mains power supply, and then wipe the cover with a damp cloth. Do not immerse in liquid. Wipe lens clean with glass cleaner and a soft cloth. Do not use alcohol or solvents.

The front lens will require weekly cleaning, as smoke-fluid tends to build up residues, reducing the light-output very quickly.

Please clean internal components once a year with a light brush and vacuum cleaner.

Keep connections clean. Disconnect electric power, and then wipe the DMX and audio connections with a damp cloth. Make sure connections are thoroughly dry before linking equipment or supplying electric power.

Troubleshooting

This troubleshooting guide is meant to help solve simple problems.

If a problem occurs, carry out the steps below in sequence until a solution is found. Once the unit operates properly, do not carry out following steps.

No Light

If the light effect does not operate properly, refer servicing to a technician.

Suspect two potential problem areas as: the power supply and the LEDs.

- 01) Power supply. Check that the unit is plugged into an appropriate power supply.
- 02) The LEDs. Return the Spectral to your Showtec dealer.
- 03) If both of the above appear to be O.K., plug the unit in again.
- 04) If you are unable to determine the cause of the problem, do not open the Spectral, as this may damage the unit and the warranty will become void.
- 05) Return the device to your Showtec dealer.

No Response to DMX

Suspect the DMX cable or connectors, a controller malfunction, a light effect DMX card malfunction.

- 01) Check the DMX setting. Make sure that DMX addresses are correct.
- 02) Check the DMX cable: Unplug the unit; change the DMX cable; then reconnect to electrical power. Try your DMX control again.
- 03) Determine whether the controller or light effect is at fault. Does the controller operate properly with other DMX products? If not, take the controller in for repair. If so, take the DMX cable and the light effect to a qualified technician.

Problem	Probable cause(s)	Solution
One or more fixtures do not function at all	No power to the fixture	<ul style="list-style-type: none"> Check if power is switched on and cables are plugged in
	Internal fuse blown	<ul style="list-style-type: none"> Return the device to your local Showtec dealer.
Fixtures reset correctly, but all respond erratically or not at all to the controller	The controller is not connected.	<ul style="list-style-type: none"> Connect controller.
	3-pin XLR Out of the controller does not match XLR Out of the first fixture on the link (i.e. signal is reversed)	<ul style="list-style-type: none"> Install a phase reversing cable between the controller and the first fixture on the link
Fixtures reset correctly, but some respond erratically or not at all to the controller	Poor data quality	<ul style="list-style-type: none"> Check data quality. If much lower than 100 percent, the problem may be a bad data link connection, poor quality or broken cables, missing termination plug, or a defective fixture disturbing the link
	Bad data link connection	<ul style="list-style-type: none"> Inspect connections and cables. Correct poor connections. Repair or replace damaged cables
	Data link not terminated with 120 Ohm termination plug	<ul style="list-style-type: none"> Insert termination plug in output jack of the last fixture on the link
	Incorrect addressing of the fixtures	<ul style="list-style-type: none"> Check address setting
	One of the fixtures is defective and disturbs data transmission on the link	<ul style="list-style-type: none"> Bypass one fixture at a time until normal operation is restored: unplug both connectors and connect them directly together. Have the defective fixture serviced by a qualified technician
	3-pin XLR Out on the fixtures does not match (pins 2 and 3 reversed)	<ul style="list-style-type: none"> Install a phase-reversing cable between the fixtures or swap pin 2 and 3 in the fixture that behaves erratically
No light or lamp cuts out intermittently	Fixture is too hot	<ul style="list-style-type: none"> Allow the fixture to cool down Clean the fan Make sure air vents in control panel and the front lens are not blocked Turn up the air conditioning
	LEDs damaged	<ul style="list-style-type: none"> Disconnect the fixture and return it to your dealer
	The power supply settings do not match local AC voltage and frequency	<ul style="list-style-type: none"> Disconnect fixture. Check settings and correct if necessary

Product Specifications

Model:	Showtec Spectral M850 Q4 IP
Input Voltage:	100-240 VAC, 60/50Hz
Power consumption:	100W
DMX linking:	30pcs
Dimensions:	195 x 280 x 300 mm (LxWxH)
Weight:	4,7 kg
Operating and Programming:	
Signal pin OUT:	Pin 1 (earth), pin 2 (-), pin 3 (+)
DMX Mode:	4, 8, 15 channels
Signal input:	3-pin DMX IN
Signal output:	3-pin DMX OUT
Electro-mechanical effects:	
LED Quantity:	14 x 8W 4-in-1 RGBA LED
Light output:	18730 lumen @ 1 m
Color mixing:	RGBA
Beam angle:	10°
Dimmer:	0-100%
Strobe:	0-20Hz
Refresh rate:	400Hz
Housing:	Metal & Flame retardant plastic
DMX-control:	via standard DMX-controller
On Board:	OLED display for easy setup
Control:	Built-in programs, Color presets, Manual, Master/Slave, DMX-512
Connections:	Dedicated Schuko to Powercon & Data connector
Cooling:	Convection
IP rating	IP65
Max. ambient temperature t_a :	40°C
Max. housing temperature t_B :	80°C
Minimum distance:	
Minimum distance from flammable surfaces:	0,5 m
Minimum distance to lighted object:	1 m

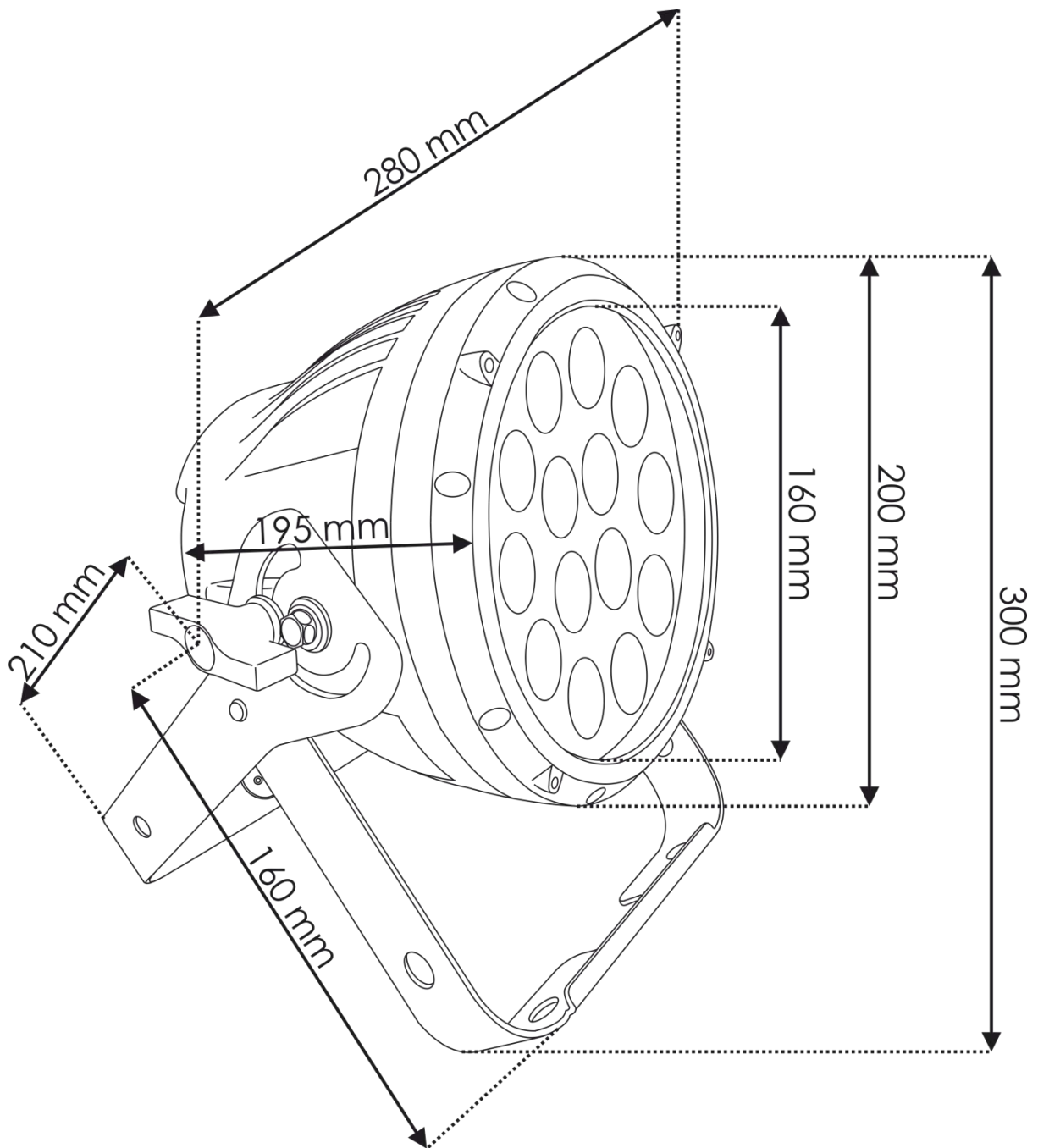
Design and product specifications are subject to change without prior notice.



Website: www.Showtec.info

Email: service@highlite.nl

Dimensions





©2015 Showtec